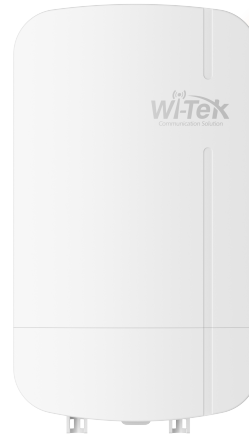


5GHz 867Mbps 5km Long-range Outdoor Wireless Transmitter



WI-CPE814P

Overview

Wireless transmitters use wireless to build a communication bridge between two or more networks. With the advantages of wireless high bandwidth, long distance, flexible point-to-point, point-to-multipoint applications, and high reliability and protection design, they can be widely deployed in CCTV applications in open areas such as highways, parks, forests, building tower cranes, or elevator shafts, eliminating the trouble of wiring.

Features

Ultra-bandwidth

Offer wireless rate up to 867Mbps by adopting 5GHz solution, and 1000Mbps RJ45 port, greatly improves the efficiency of data transmission.

Long-Distance Data Transmission up to 5km

Provide long-distance wireless network transmission up to 5km with a high-performance 14dBi Directional Antenna, making it an ideal choice for outdoor wireless network transmission.

PTP/PTMP

Support two networking modes, PTP (point to point) and PTMP (point to multi-point), which flexibly suiting for different outdoor network solutions.

IEEE 802.3bt 90W PoE Power Supply and IEEE 802.3af/at PoE Out

Support IEEE 802.3bt 90W PoE power supply and ethernet LAN1-3 can power 802.3af/at PoE Output for IP Camera, which can be flexibly installed according to the application scenarios.

One-touch Quick Pairing

No more configuration required, quick pairing with a button.

*This function is currently supported quick pairing with WI-CPE800-KIT (V3).

Wi-Tek Cloud Management

Wi-Tek Cloud provide reliable performance, visual management, and remote access which is easy to operate and maintain.



Specifications

| | |
|-----------------------------|--|
| Model | WI-CPE814P |
| Hardware Version | V1 |
| Hardware Features | |
| Interface | 1*10/100/1000Mbps WAN/LAN (PoE IN) RJ45 port 3*10/100/1000Mbps LAN (PoE Out) RJ45 ports |
| Frequency Range | 5.150 ~ 5.850GHz (Channel 36~64, 100~144, 149~165) *Please follow national regulations to select the appropriate frequency. |
| Compliant Standards | IEEE 802.11a/n/ac |
| Spatial Streams | 2x2, MU-MIMO |
| Maximum Wireless Rate | 867Mbps@5GHz |
| Antenna Gain | Build-in 14dBi directional antenna |
| Half Power Beamwidth (Typ.) | Horizontal: 60°, Vertical: 30° |
| Transmit Power | 24±2dBm max. (adjustable) |
| Recommended Distance | 5km |
| LED Indicator | 1*PWR indicator, 1*SYS indicator, 1*Wi-Fi indicator, 4*Wi-Fi Signal indicator, 4*Ethernet ports lights (left orange: PoE, right green: Link) |
| DIP Switch | H: Base station mode, supports wireless point-to-point and point-to-multipoint long-distance transmission. C: CPE mode, a receiving point for connecting a wireless base station. |
| RST button | Short press: Search for another wireless transmitter on a different mode(H/C status)and pair each other. |
| | Long press over 5 seconds: Restore the factory default configuration. |
| Power Supply | IEEE 802.3bt 90W PoE IN |
| | 48V DC@2A Max |
| Power Consumption | <10W (Without PoE Out) |
| PoE Power Budget | 50W(PoE budget for three ports),Max.30W for one port |
| Max power consumption | 60W |
| Dimensions(L*W*H) | 192*110*52mm |
| Weight | 0.37kg |



| | |
|---------------------------|--|
| Model | WI-CPE814P |
| Package Dimensions | 265*205*70mm |
| Package Weight | 0.73kg |
| Installation | Wall/Pole mounted |
| Material | Outdoor UV Stabilized Plastic |
| Reliability | |
| ESD Protection | Air discharge: ±8kV, Contact discharge: ±6kV |
| Lightning Protection | 2kV |
| Operating Environment | -30°C to 55°C, 5%~95% (non-condensation) |
| Storage Environment | -40°C to 70°C, 5%~95% (non-condensation) |
| Ingress Protection | IP65 |
| Max transmission Distance | 5km |



Software Features

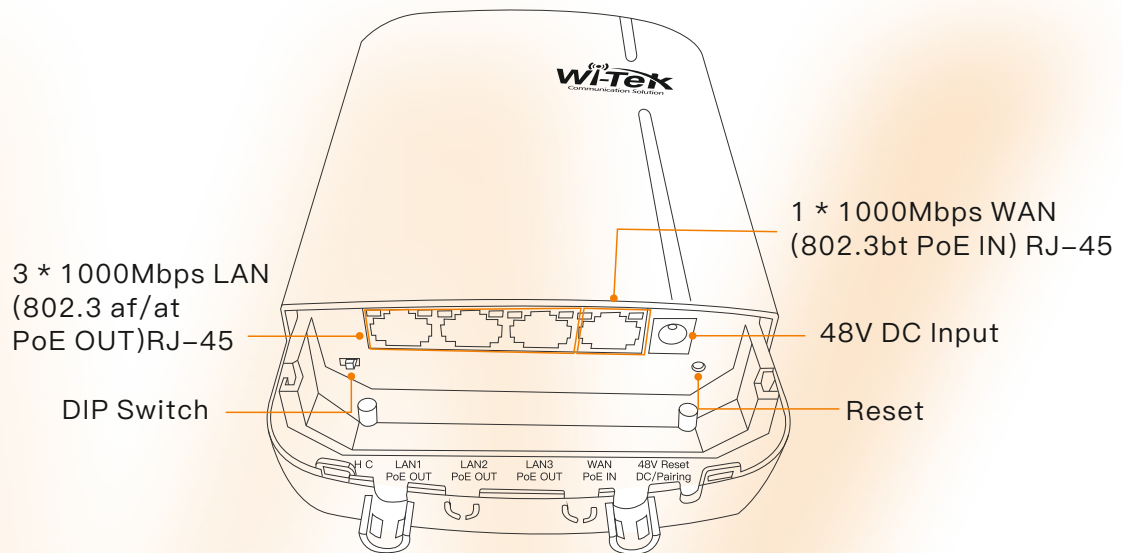
| | |
|------------------------|--|
| Model | WI-CPE814P |
| Hardware Version | V1 |
| Software Features | |
| System Status | System information, Wireless information, Radio status, Flow Chart, Wireless Terminal Station |
| Operating Mode | Base Station, CPE Repeater, WISP Mode (Switch the pairing mode to control by web) |
| WAN Configuration | Dynamic IP, Static IP |
| Wireless Configuration | Wireless enable/disable, Hide SSID Wireless Security: OPEN, WPA-TKIP, WPA2-AES, WPA/WPA2-Mixed, WPA-Enterprise, WPA2-Enterprise |
| Radion Parameter | WMM, Weak Signal Rejection Threshold, Wireless Channel, Tx Power Control Channel Bandwidth: Auto/20/40/80MHz |
| System Tools | Speed Test, Ping Watchdog, Scheduled Reboot, NTP, Ping, Traceroute |
| Management | Local WEB management, Remote Wi-Tek Cloud management |

WI-CPE814P

Dimensions (mm)



Front Panel



Package Contents

Welcome to order our products. After purchasing, you will receive:

| Items | Quantity |
|--------------------------|----------|
| Wireless Transmitter | 1 pcs |
| 48V PoE Adapter | 1 pcs |
| Ethernet Cable | 1 pcs |
| Plastic Tie Cable | 2 pcs |
| Quick Installation Guide | 1 pcs |



Wireless-Tek Technology Limited
 Address: Building 3, Units 1801-1807, 1812, Huaqiang Era Plaza, Tangwei Community, Fuhai Street, Bao'an District, Shenzhen City, Guangdong Province, China.
 Website: www.wireless-tek.com
 Tel: 86-0755-32811290
 Email: sales@wireless-tek.com
 Technical Support: tech@wireless-tek.com



Technical Support



Cloud Management



Company Website