

# DURABOOK

Prepared for the Unexpected

# S14I Laptop Solution Guide





# S14I Laptop

## ONE STEP ABOVE SEMI-RUGGED

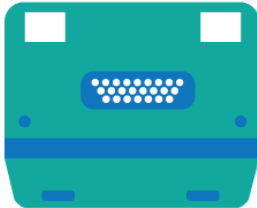
Experience seamless productivity and advanced AI capabilities with the S14I semi-rugged laptop powered by the Intel® Core™ Ultra processor. Designed for ultimate efficiency, security, and performance, this laptop combines military-grade durability with field-worker functionality and long-lasting battery life for continuous use. The S14I boasts an IP53 rating for dust and water resistance, MIL-STD 810H certification, and four-foot drop protection, making it the toughest device in its category and setting a new standard for semi-rugged laptops. Equipped with Durabook's proprietary DynaVue® technology and high-definition multi-touch screen, the S14I offers the highest contrast ratio to minimize internal reflections, ensuring clear visibility from multiple angles, even in bright sunlight or low light conditions. For professionals navigating today's demanding and dynamic work environments, this tough yet elegant S14I rugged laptop stands in a league of its own.

- 14.0" FHD DynaVue® sunlight readable display with 1200 nits
- Intel® Core™ Ultra processor with integrated NPU AI engine
- Dual hot-swappable battery design up to 32 hrs. battery life
- Versatile I/O options with two Thunderbolt™ 4 and two RJ45
- Wireless dual SIM 4G LTE/5G, Wi-Fi 7 and Bluetooth® V5.4
- Removable quick-release batteries and storage drive

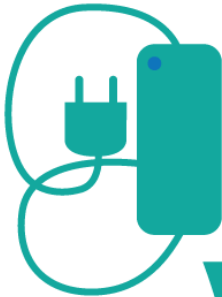


# S14I LAPTOP SOLUTION ECOSYSTEM

**DOCKING SOLUTIONS**



**POWER MANAGEMENT SOLUTIONS**



**PRODUCTIVITY SOLUTIONS**



**STORAGE SOLUTIONS**



**WARRANTY SOLUTIONS**

## S14I Laptop SOLUTION ECOSYSTEM

Durabook's full range of solutions is designed to work with Durabook devices so you can be more productive with better security and connectivity.

All accessories in the guide are fully tested in-house and in the Durabook factory by Durabook Engineers.

# VERSATILE SOLUTIONS FOR THE MODERN WORKFORCE

**AUTOMOTIVE**



**FIELD SERVICE**



**GOVERNMENT**



# VERSATILE SOLUTIONS FOR THE MODERN WORKFORCE

Built to meet the heightened needs of industry clients, Durabook's unmatched rugged product lineup has everything you need.

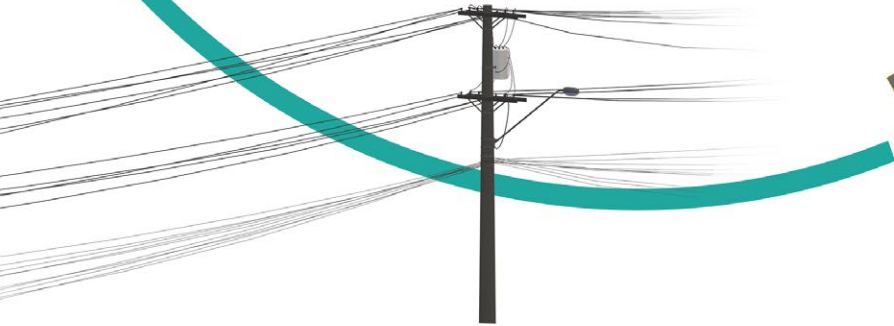
**PUBLIC SAFETY & EMERGENCY SERVICE**



**INDUSTRIAL MANUFACTURING**



**UTILITY**



# DOCKING SOLUTIONS

## Office Dock with 120W AC Adapter

Ports:

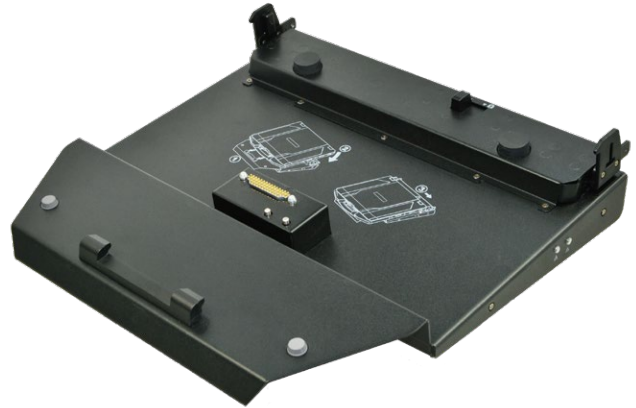
- DC-in jack x 1
- 10/100/1000 Ethernet (RJ-45) x 1
- USB 3.0 (type A) x 2
- USB 2.0 (type A) x 2
- DP (DisplayPort) port x 1
- HDMI port (type A) x 1
- VGA port x 1
- Serial COM port (D-sub) x 1
- Audio out jack
- Microphone in jack

Size: 12.68 in (W) x 12.64 in (D) x 3.07 in (H)

Weight: 6.35 lbs

Part Number:

**DDXS4A**



## Vehicle Dock with Tri-RF Pass-through (PMT)

Ports:

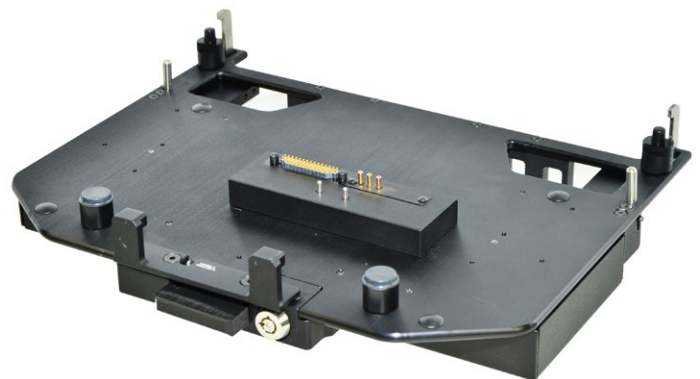
- DC-in jack x 1
- 10/100/1000 Ethernet (RJ-45) x 1
- USB 3.0 (type A) x 2
- USB 2.0 (type A) x 2
- DP (DisplayPort) port x 1
- HDMI port (type A) x 1
- VGA port x 1
- Serial COM port (D-sub) x 1
- Audio out jack
- Microphone in jack
- GPS/WWAN/WLAN Pass-through

Size: 13.7 in (W) x 11.6 in (D) x 3.25 in (H)

Weight: 7.55 lbs

Part Number:

**TVPS4P**

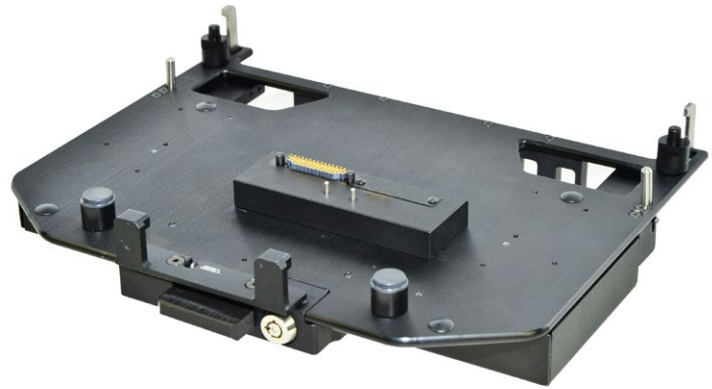


# DOCKING SOLUTIONS

## Vehicle Dock without Tri-RF Pass-through (PMT)

Ports:

- DC-in jack x 1
- 10/100/1000 Ethernet (RJ-45) x 1
- USB 3.0 (type A) x 2
- USB 2.0 (type A) x 2
- DP (DisplayPort) port x 1
- HDMI port (type A) x 1
- VGA port x 1
- Serial COM port (D-sub) x 1
- Audio out jack
- Microphone in jack



Size: 13.7 in (W) x 11.6 in (D) x 3.25 in (H)

Weight: 7.35 lbs

Part Number:

**TVXS4P**

# POWER MANAGEMENT SOLUTIONS

## Spare Main Battery

Part Number:  
**DBMSBX**



## Battery Charger - 8 bays

Part Number:  
**DC8SBA**

*Supports both main and second battery  
Supports battery calibration with the push of a button.*  
Power Input: 100-240V, 50-60Hz, 200W Internal Power Supply  
Dimensions: 21.65" (W) x 6.89" (D) x 4.06" (H)  
Weight: 9.92 lbs



## Battery Charger - 2 bays

Part Number:  
**DC2SBA**

*Supports both main and second battery  
Supports up to three 2-Bay Chargers daisy chained together using the attached DC-out cable.*  
Power Input: 19V, 50-60Hz, 65W AC Adapter  
Dimensions: 5.94" (W) x 5.94" (D) x 3.74" (H)  
Weight: 1.41 lbs



## 90W AC Adapter with power cord

Part Number:  
**DAA9XA**



## 120W AC Adapter with power cord

Part Number:  
**DAA2XA**



## LIND 12-16V Car Adapter with cigarette plug

Part Number:  
**TAD21L**



## LIND 12-16V Car Adapter with 180 degree connector & 72" cable-bare wire

Part Number:  
**TAD22L**



## LIND 12-32V Car Adapter with cigarette plug

Part Number:  
**TAD31L**



# POWER MANAGEMENT SOLUTIONS

LIND 12-32V  
Car Adapter  
with bare wire

Part Number:  
**TAD33L**



Car Adapter  
(11-32V DC 90W)

Part Number:  
**DAD4XX**



# PRODUCTIVITY SOLUTIONS

## Shoulder Strap (2 Point)

Part Number:  
**DMS2SX**



## Spare Stylus & Tether

Part Number:  
**DMSTXX**



## Screen Protector Film

Part Number:  
**DPFS4X**



## USB 3.0 Docking Station

Part Number:  
**DDXAUA**



## USB-C Docking Station

Part Number:  
**DDXCUA**



# STORAGE SOLUTIONS

## Spare PCIE SSD with canister

Part Numbers:

**DSMSB5** - 2TB

**DSMSB4** - 1TB

**DSMSB3** - 512GB

**DSMSB2** - 256GB



# WARRANTY SOLUTIONS

## Extended Warranty

Durabook's Extended Warranty provides up to an additional 2 years of warranty thereby minimizing the cost of repair throughout the lifecycle of your device.

Part Numbers:

**EW4-S14** - Extended Warranty - Years 1 to 4 (including 1 Year Extended Warranty)

**EW5-S14** - Extended Warranty - Years 1 to 5 (including 2 Year Extended Warranty)

## Accidental Damage Warranty (Protection Plus)

Durabook's Accidental Damage Warranty provides up to 5 years of warranty. With Durabook's Accidental Damage Warranty your Durabook rugged devices are covered for accidental damage.

Part Numbers:

**PP3-S14** - Accidental Damage Warranty - Years 1 to 3

**PP4-S14** - Accidental Damage Warranty - Years 1 to 4 (including 1 Year Extended Warranty)

**PP5-S14** - Accidental Damage Warranty - Years 1 to 5 (including 2 Year Extended Warranty)

## Extended Battery Warranty

Durabook's Extended Battery Warranty provides up to 5 years of warranty on the device's main standard battery providing you with a worry free solution for your workforce.

Part Numbers:

**EBW2-S14** - Extended Battery Warranty - 2 Years Cover (Main Standard Battery Only)

**EBW3-S14** - Extended Battery Warranty - 3 Years Cover (Main Standard Battery Only)

**EBW4-S14** - Extended Battery Warranty - 4 Years Cover (Main Standard Battery Only)

**EBW5-S14** - Extended Battery Warranty - 5 Years Cover (Main Standard Battery Only)

## Extended Warranty - Others

Durabook's other Extended Warranty provides up to 3 years of warranty on other Durabook Solutions.

Part Numbers:

**EDW2-S14** - Extended Durabook Office Dock Warranty - 2 Years Cover

**EDW3-S14** - Extended Durabook Office Dock Warranty - 3 Years Cover

# SOLUTION OVERVIEW

| CATEGORY                          | ITEM   | PART NO. |
|-----------------------------------|--|----------|
| <b>DOCKING SOLUTIONS</b>          | Office Dock with 120W AC Adapter   | DDXS4A   |
|                                   | Vehicle Dock with Tri-RF Pass-through (PMT)                                    | TVPS4P   |
|                                   | Vehicle Dock without Tri-RF Pass-through (PMT)                                 | TVXS4P   |
| <b>POWER MANAGEMENT SOLUTIONS</b> | Spare Main Battery   | DBMSBX   |
|                                   | Battery Charger - 2 bays   | DC2SBA   |
|                                   | Battery Charger - 8 bays   | DC8SBA   |
|                                   | 90W AC Adapter with power cord   | DAA9XA   |
|                                   | 120W AC Adapter with power cord  | DAA2XA   |
|                                   | LIND 12-16V Car Adapter with cigarette plug                                    | TAD21L   |
|                                   | LIND 12-16V Car Adapter with 180 degree connector & 72" cable-bare wire        | TAD22L   |
|                                   | LIND 12-32V Car Adapter with cigarette plug                                    | TAD31L   |
|                                   | LIND 12-32V Car Adapter with bare wire   | TAD33L   |
|                                   | Car Adapter (11-32V DC 90W)  | DAD4XX   |
| <b>PRODUCTIVITY SOLUTIONS</b>     | Shoulder Strap (2 Point)   | DMS2SX   |
|                                   | Spare Stylus & Tether  | DMSTXX   |
|                                   | Screen Protector Film  | DPFS4X   |
|                                   | USB 3.0 Docking Station  | DDXAUA   |
|                                   | USB-C Docking Station  | DDXCUA   |
| <b>STORAGE SOLUTIONS</b>          | Spare 2TB PCIE SSD with canister   | DSMSB5   |
|                                   | Spare 1TB PCIE SSD with canister   | DSMSB4   |
|                                   | Spare 512GB PCIE SSD with canister   | DSMSB3   |
|                                   | Spare 256GB PCIE SSD with canister   | DSMSB2   |
| <b>WARRANTY SOLUTIONS</b>         | Extended Warranty  |          |
|                                   | Extended Warranty - Years 1 to 4 (including 1 Year Extended Warranty)          | EW4-S14  |
|                                   | Extended Warranty - Years 1 to 5 (including 2 Year Extended Warranty)          | EW5-S14  |
|                                   | Accidental Damage Warranty (Protection Plus)                                   |          |
|                                   | Accidental Damage Warranty - Years 1 to 3                                      | PP3-S14  |
|                                   | Accidental Damage Warranty - Years 1 to 4 (including 1 Year Extended Warranty) | PP4-S14  |

# SOLUTION OVERVIEW

| CATEGORY           | ITEM   | PART NO. |
|--------------------|--|----------|
| WARRANTY SOLUTIONS | Accidental Damage Warranty - Years 1 to 5 (including 2 Year Extended Warranty) | PP5-S14  |
|                    | Extended Battery Warranty  |          |
|                    | Extended Battery Warranty - 2 Years Cover (Main Standard Battery Only)         | EBW2-S14 |
|                    | Extended Battery Warranty - 3 Years Cover (Main Standard Battery Only)         | EBW3-S14 |
|                    | Extended Battery Warranty - 4 Years Cover (Main Standard Battery Only)         | EBW4-S14 |
|                    | Extended Battery Warranty - 5 Years Cover (Main Standard Battery Only)         | EBW5-S14 |
|                    | Extended Warranty - Others   |          |
|                    | Extended Durabook Office Dock Warranty - 2 Years Cover                         | EDW2-S14 |
|                    | Extended Durabook Office Dock Warranty - 3 Years Cover                         | EDW3-S14 |



**DURABOOK**  
AMERICAS

DURABOOK AMERICAS INC.  
Tel: 1-510-492-0828  
Email: [sales@durabookamericas.com](mailto:sales@durabookamericas.com)  
[www.durabookamericas.com](http://www.durabookamericas.com)

Copyright© Twinhead International Corp. and/or any of its affiliates. All Rights Reserved.

All brand names are registered trademarks of their respective owners.

The specifications and pictures are subject to change without notice.

March 2025\_US\_S14I\_V1.3