



FL1024M80ESM263X5ST

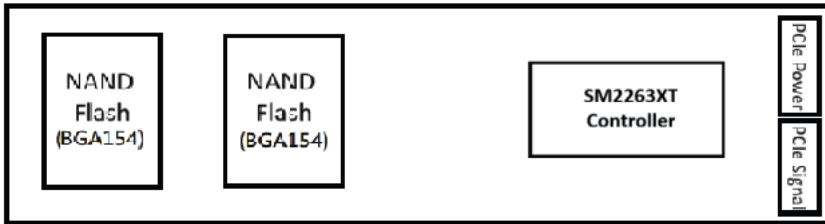
Foxline FL1024M80ESM263X5ST is a PCIe Gen3 x4 interface Solid State Drive fully compliant with standard Next Generation Form Factor (NGFF) called M.2 Card Format. SSD density is 1024GB based on SM2263XT Controller and two 512GB TLC BGA NAND components. 100% tested and backed by limited lifetime warranty. RoHS Compliant and Halogen-Free.

SPECIFICATIONS

Part Number	FL1024M80ESM263X5ST
Description	PCIe Gen3 x4 M.2 2280 1024GB
Form Factor	M.2 2280 S2-M (Single Side)
Capacity	1024GB
Technology	PCIe Gen3 x4
Baseline Performance	Data Transfer (CrystalDiskMark) : >2300 MB/s / >1700 MB/s
Read and Write	Maximum Random 4K Read / Write (QD=32) >200K / >150K
Power Consumption	Power Voltage 3.3V : Read <4W, Write <4W, Idle PS3.35 mW
Total Bytes Written	500 TB
Weight	7 g
Warranty	Limited lifetime
Operative Temperature	0° C to +70° C
Storage Temperature	-40° C to +85° C

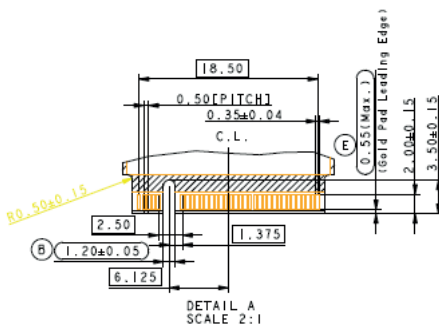
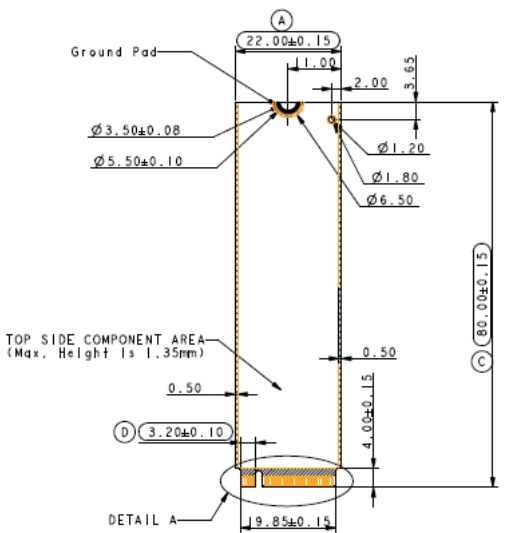


BLOCK DIAGRAM:



PHYSICAL DIMENSIONS:

TOP VIEW



BOTTOM VIEW

