

# AEROHEX-M

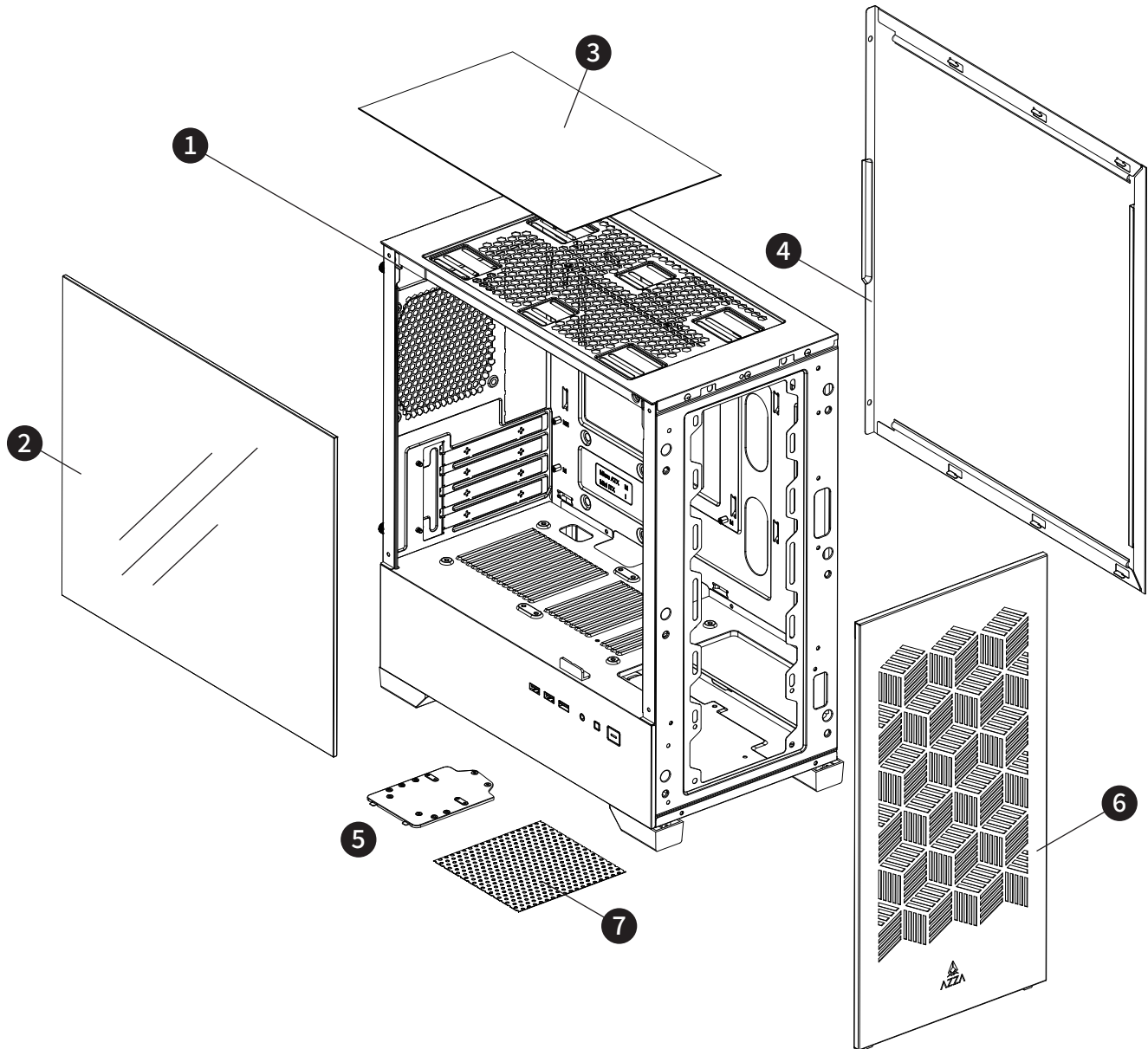
## USER MANUAL

1. Specifications
2. Chassis Parts
3. Control Panel Functions
4. 3.5"/2.5" HDD/SSD Installation
5. Cooling System Installation
6. Fan Installation
7. RGB Lighting Switching

# Specifications

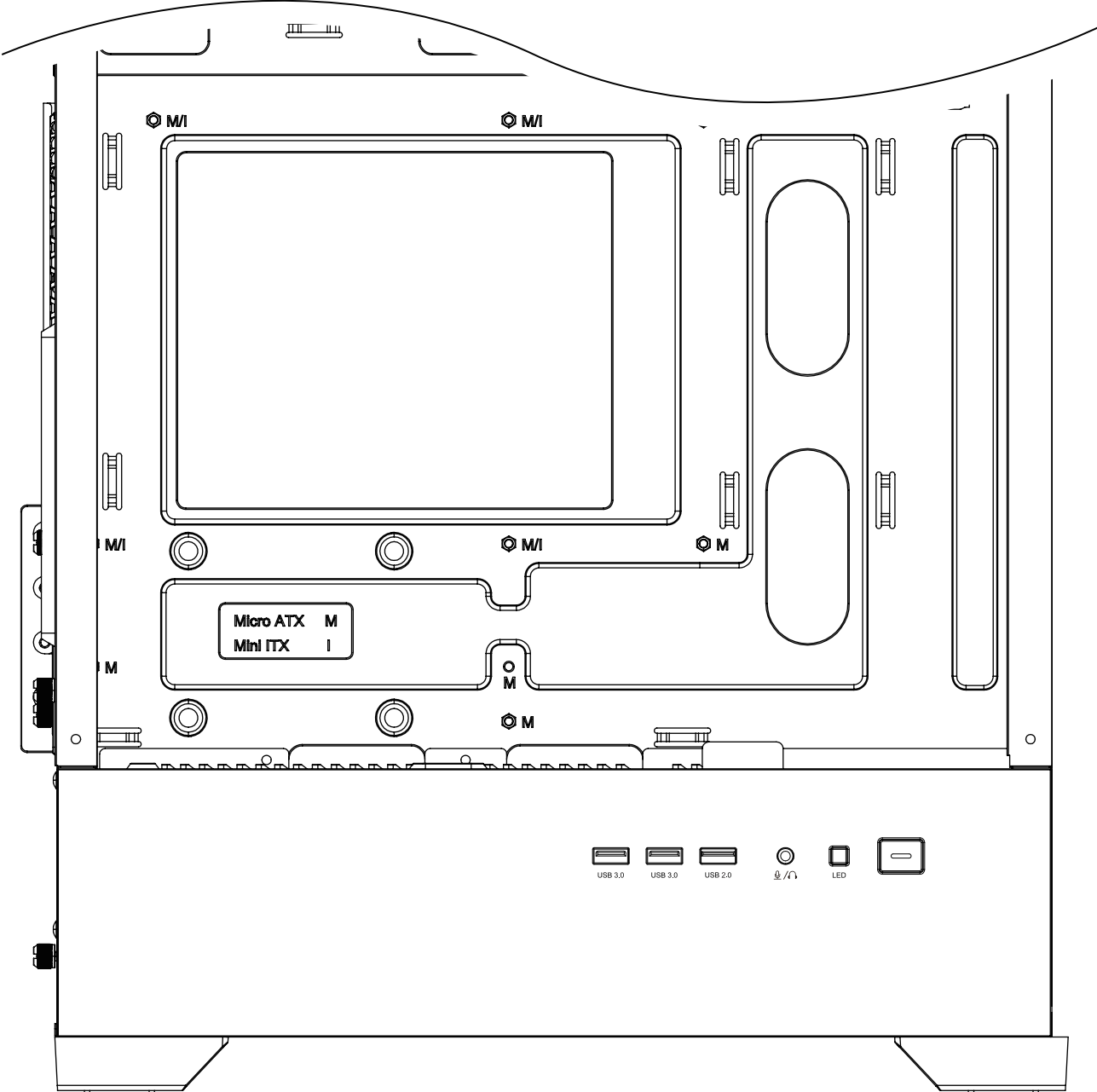
Model	
Model Name:	AEROHEX-M
Model Number:	CSAZ-203A03M
Specifications	
Type:	M-ATX Mid Tower
Color:	Black
Side Panel Window:	Left side panel: Tempered glass with metal mounts
Max Cpu Cooler Height:	UP to 160mm
Max Video Card Length:	Up to 330mm long video card
Power Supply:	Not included
Motherboard Compatibility:	Micro ATX \ ITX
Expansion	
External 5.25" Drive Bays:	0
Internal 2.5" Drive Bays:	Up to 2
Internal 3.5" Drive Bays:	Up to 1
Expansion Slots:	4
Top ports:	Power button / LED button / Combo Audio / USB 3.0 x2 / USB 2.0 x1
Physical Specifications	
Case Dimension (HxWxD):	431.4 x 203.5 x 377mm / 17 x 8 x 14.8 inches
Weight:	5.07Kg /11.18bs
Features	
Tempered Glass Sides Window:	High-quality tempered glass side window allows for clear visuals to inner components
Addressable RGB Light Effects:	ARGB fans are controlled using the LED button. All addressable RGB devices can sync with the motherboard, allowing the motherboard software to control lighting directly.
Available Fan Ports:	3x120mm fan ports in the front (2x120mm LFO-6112D addressable ARGB fan included) 2x120 or 2x140 mm fan ports on the top 1x120mm fan port in the rear (1x120mm LFO-6112D addressable ARGB fan included) 2 x 120 mm fan ports on the PSU shroud
Water Cooling:	Supports radiators up to 240mm on the Top Supports radiators up to 360mm in the Front
Dust Filters:	Removable (magnetic) dustproof net on the top and Front, removable dust filter on bottom of chassis.
Power Supply Support:	Bottom mounted ATX power supply







# Chassis Parts



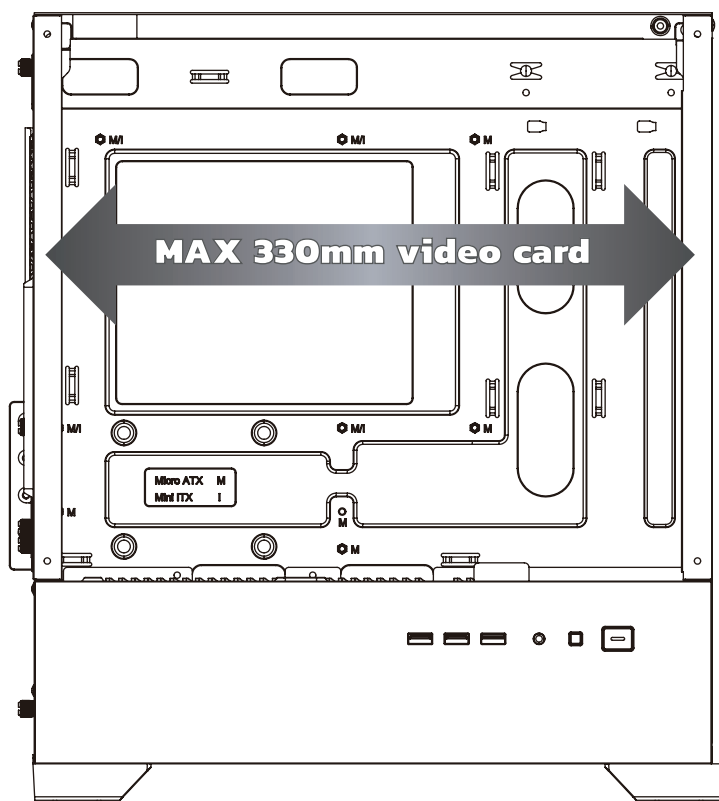
1	Chassis
2	Tempered glass panel
3	Removable magnetic mesh
4	Metal side panel
5	3.5" HDD/2.5" SSD metal tray
6	Front panel
7	Dust filter on bottom

# Control Panel Functions

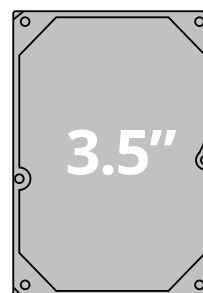


	POWER		USB2.0
	LED		USB3.0
	Combo Audio		USB3.0

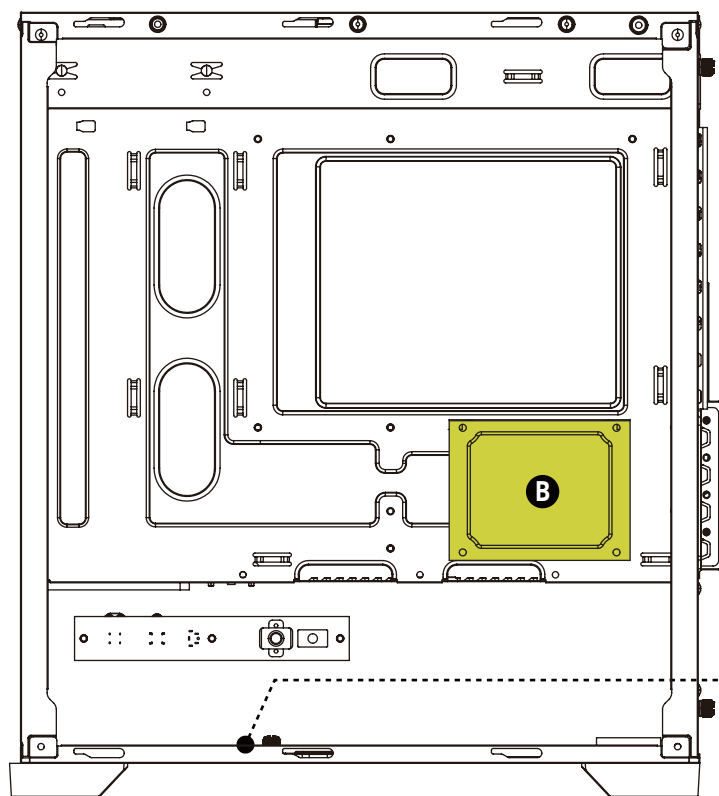
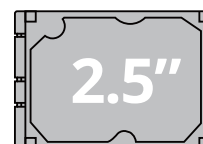
# 3.5"/2.5" HDD/SSD Installation



Up to 330mm long video card

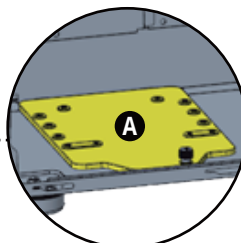


or



Multifunctional hard disk bracket support  
3.5" HDD or 2.5" SSD x1 (A)

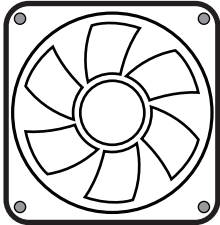
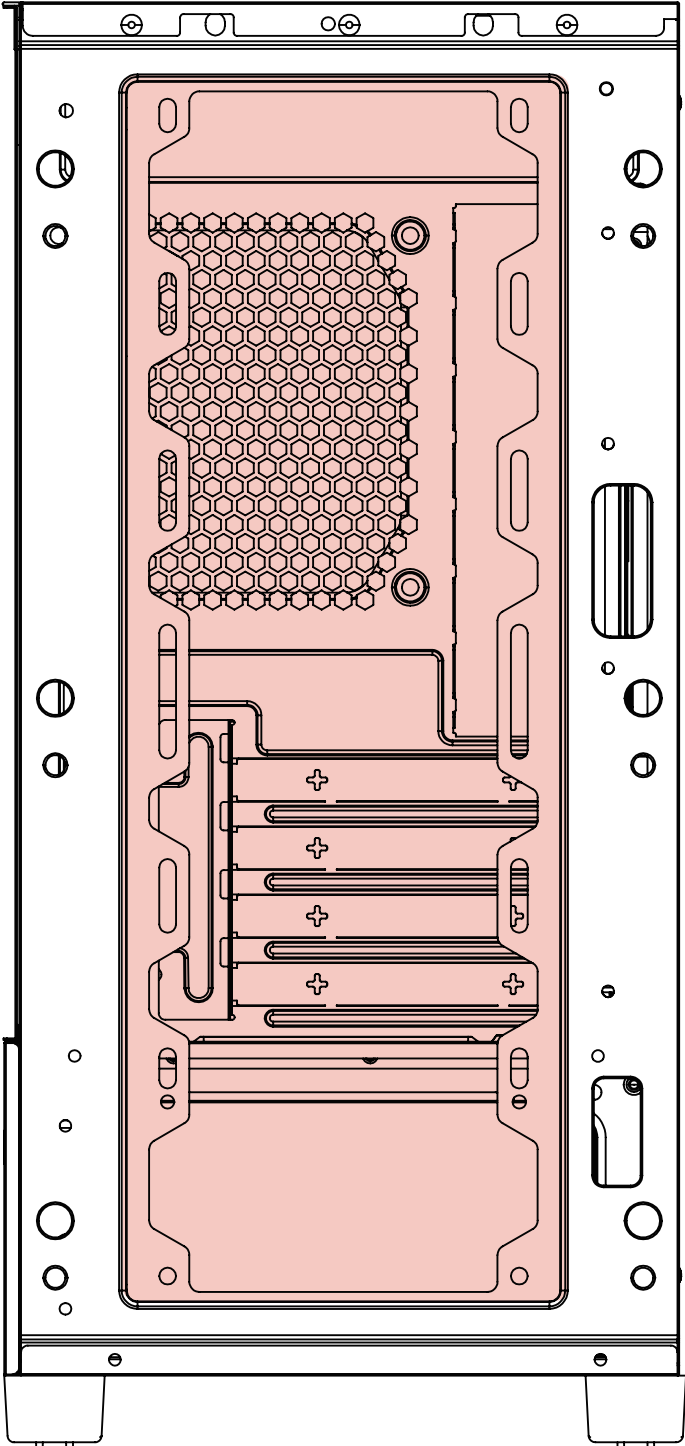
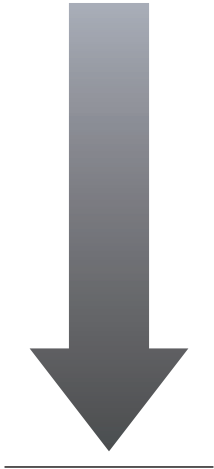
2.5" SSD metal base supports  
2.5" SSD x1 (B)



# Front

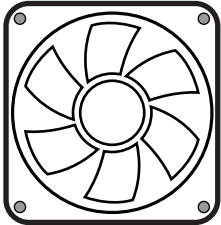
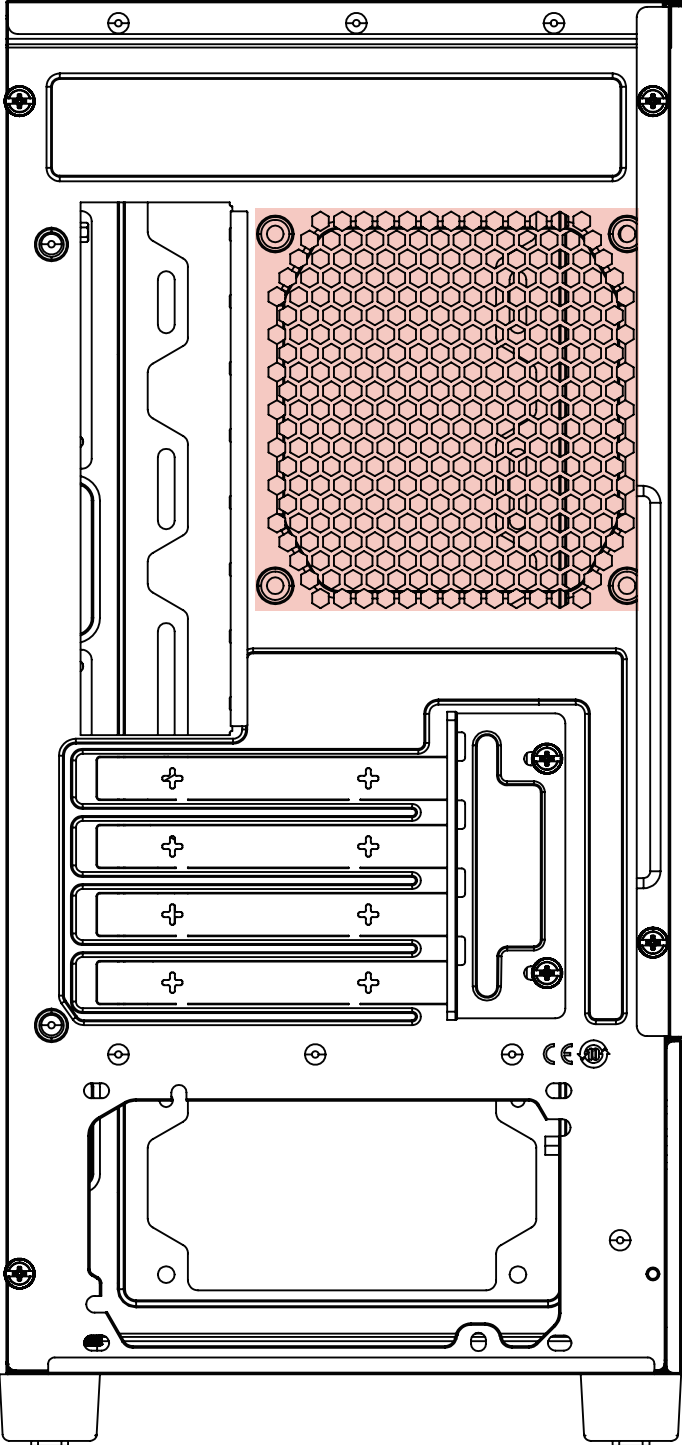


Max Height of  
Radiator  
**360mm**



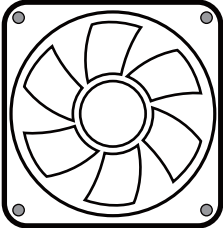
**120mm x3**

# Rear



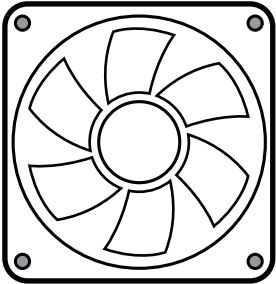
120mm x1

# Top

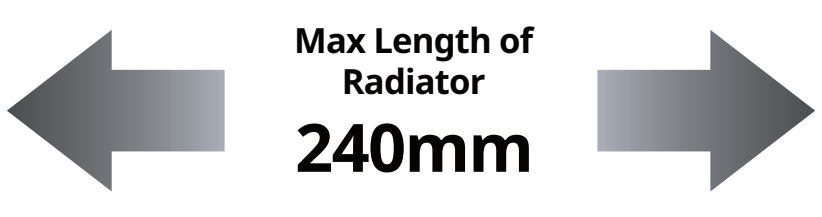
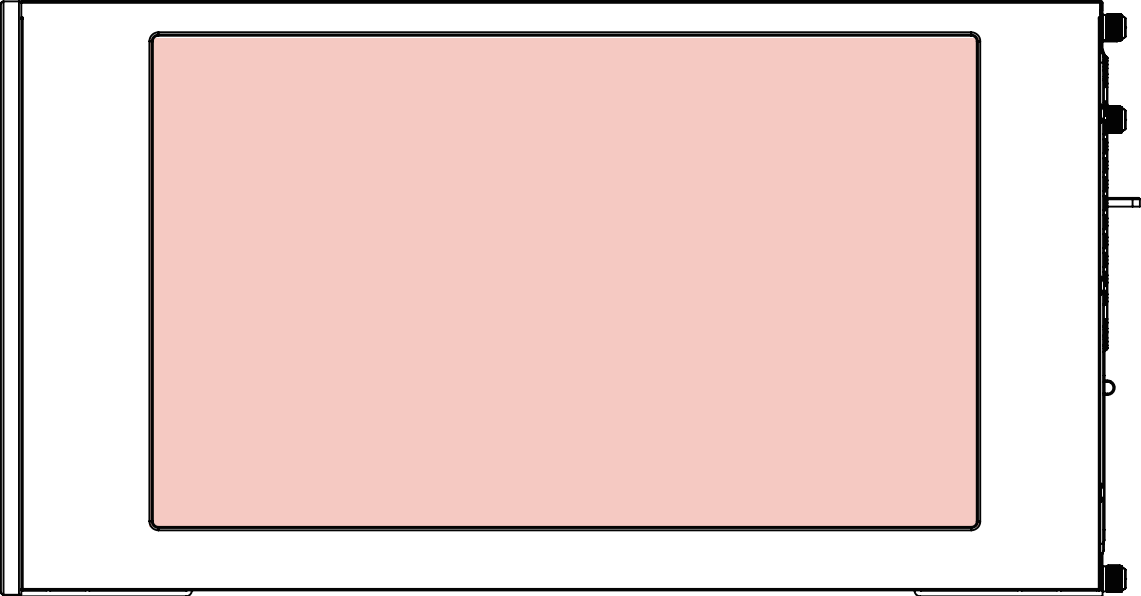


120mm x2

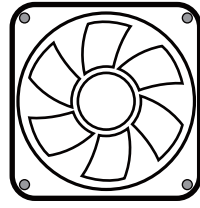
or



140mm x2

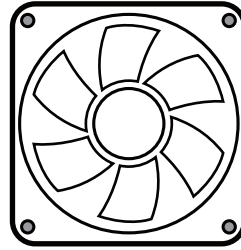


# Fan Installation

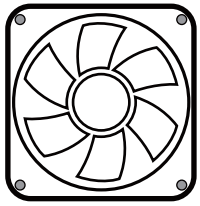


120mm x2

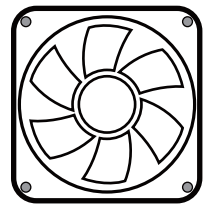
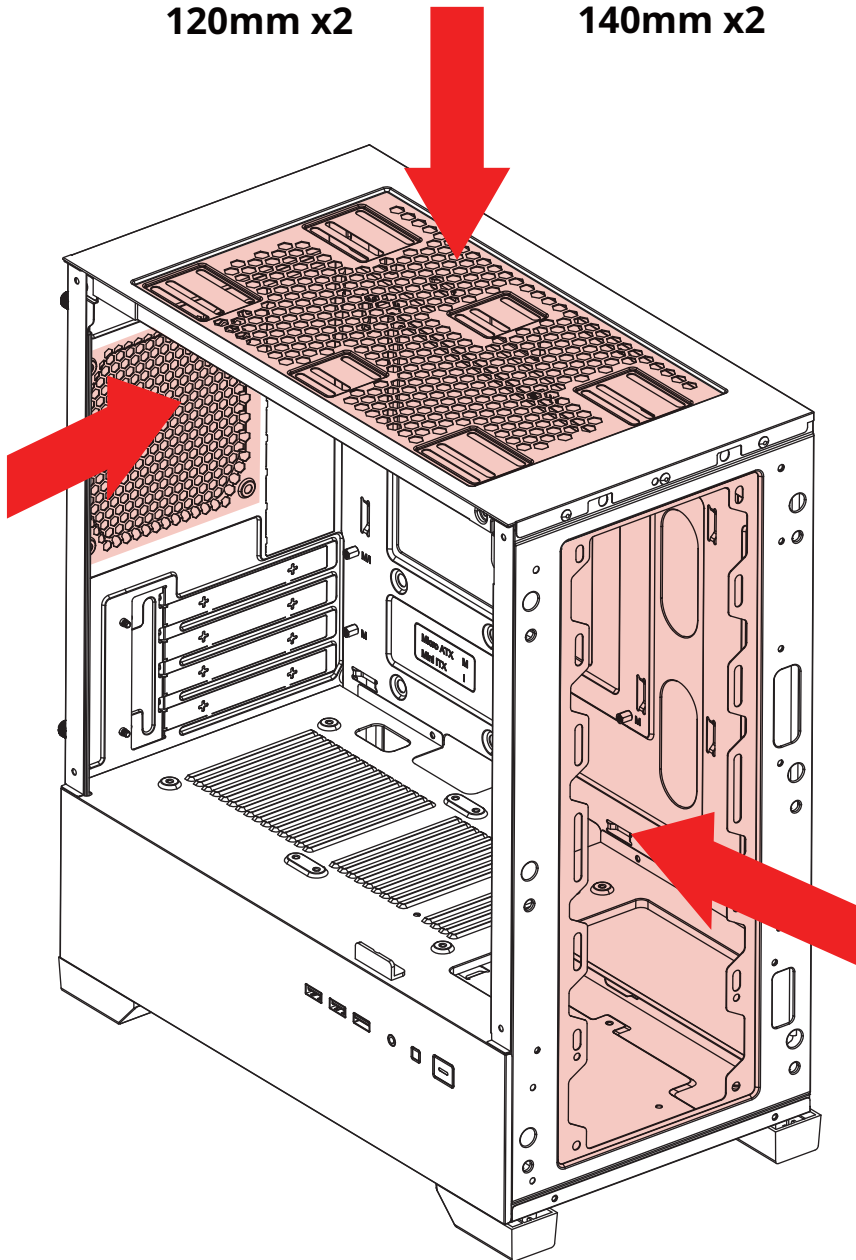
or



140mm x2



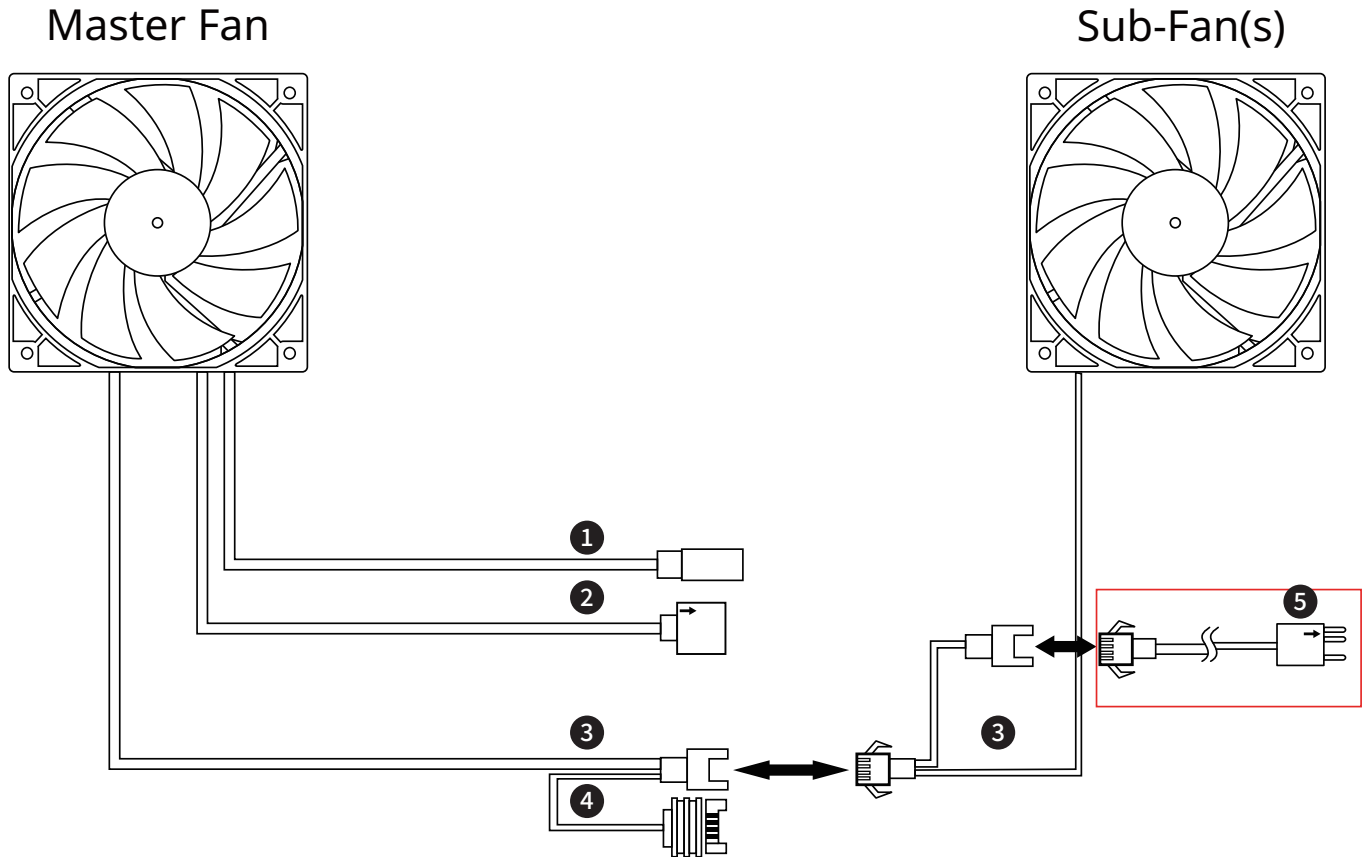
120mm x1



120mm x3

3x120mm fan ports  
in the front

# Fan Installation



	CONNECTOR	CONNECTION
①	Reset(LED) S/W (2pin)	LED Button
②	ARGB LED 5V (3pin) female connector	The 5V/3pin ARGB socket of the motherboard
③	Fan Connector	The master Fan connect to the sub-fan
④	SATA	Power Supply
⑤	ARGB LED 5V (3pin) male connector	Other 5V/3pin ARGB devices

※ Before the fan starts, please make sure the SATA connector ④ is connected.

※ Press the LED button to cycle through different RGB lighting modes, all ARGB devices are controlled by the LED button. (make sure the other 3pin ARGB device is connected with ⑤ )

※ Ensure ② insert the motherboard, and hold the LED button for 3 seconds to switch the RGB control function to the motherboard RGB sync. software. Press the LED button for 3 second, to switch in sixteen individual RGB LED modes and controlled by the LED button.

# RGB Lighting Switching

Press the LED button to cycle through different RGB lighting modes.

