

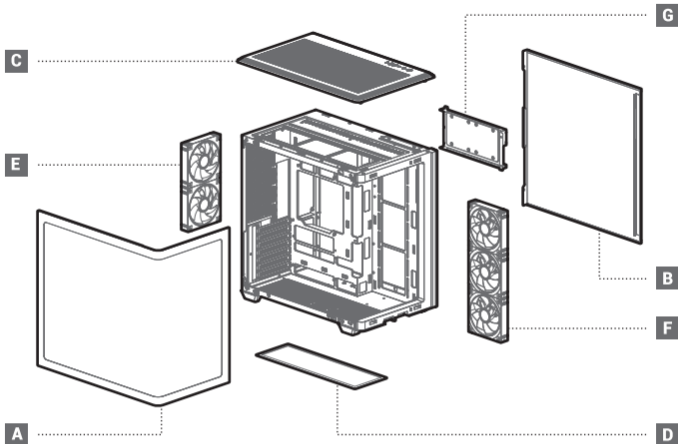
CG590U 5F Series

Panoramic Seamless Single-Curve Glass ATX Case

CG590U 5F

CG590U 5F WH

Case Features



Case Specifications

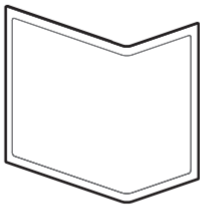
Length: 460mm
Width: 285mm
Height: 460mm

Fan locations:
Top: 3×120/2×140mm
Side: 3×120mm
Rear: 2×120mm

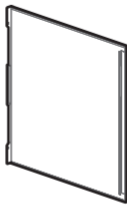
Maximum GPU length: 410mm
Maximum PSU length: 210mm
Maximum CPU cooler height: 160mm

Bottom: 3×120mm
3,5 HDD+2×120mm/2,5 SSD+2×120mm

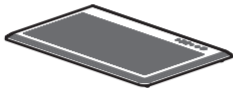
Radiator compatibility:
Top: 120/140/240/280/360mm
Side: 120/240/360mm
Bottom: 120/240/360mm
Rear: 120mm

A

Tempered Glass Panel

x1**B**

Right Side Panel

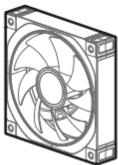
x1**C**

Top Dust

x1**D**

Bottom Dust Filter

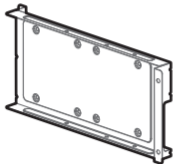
x1

E

Forward-Curved Blade Fan

×2**F**

Reverse Blade Fan

×3**G**

Hard Disk Bracket

×1

Accessory Kit Contents

H



PSU Screws

x6

I



Motherboard Screws

x18

J



HDD Screws

x9

K



Stand Off

x3

L



Sleeve Screws

x1

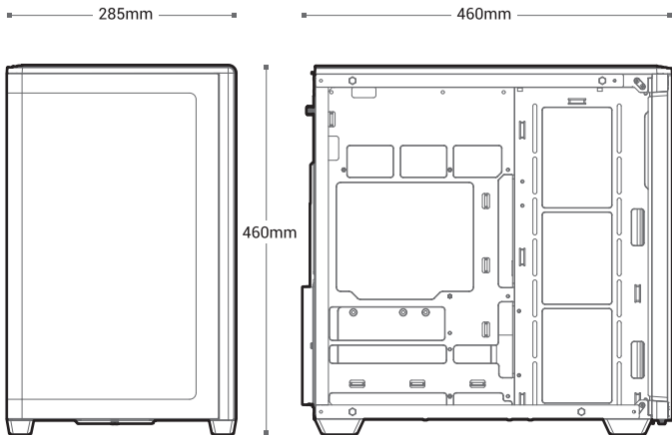
M

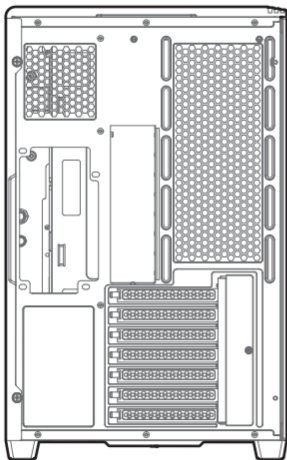


Cable Ties

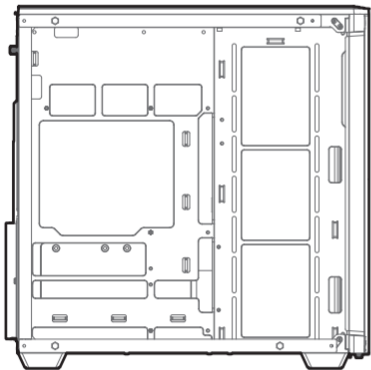
x5

Specifications

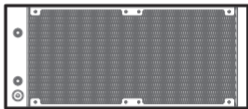




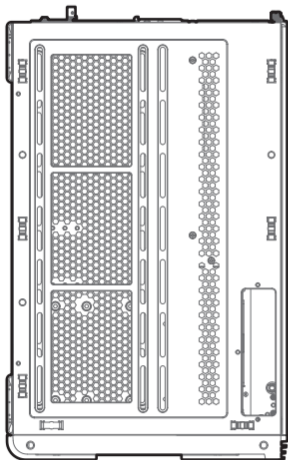
120mm×2



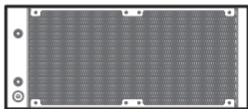
120mm×3



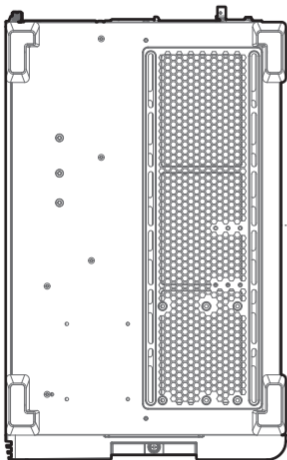
120/240/360mm



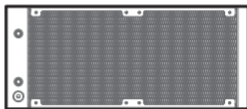
120mm×3
140mm×2



120/140/240/280/360mm

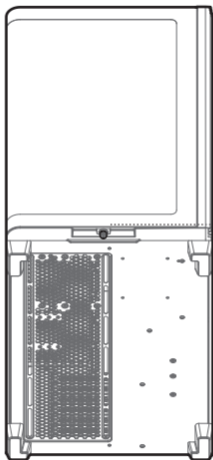


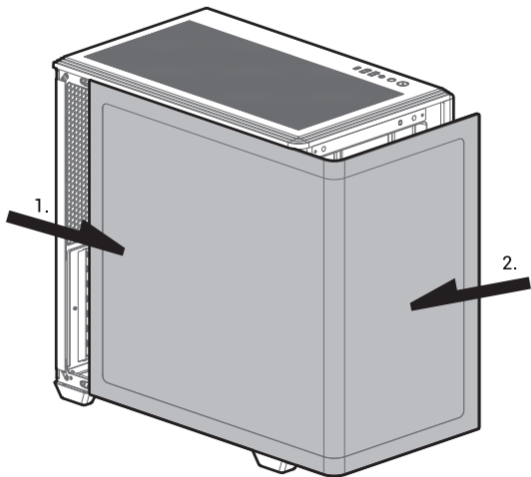
120mm×3
3.5 HDD+120mm×2
2.5 SSD+120mm×2

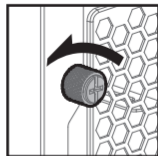
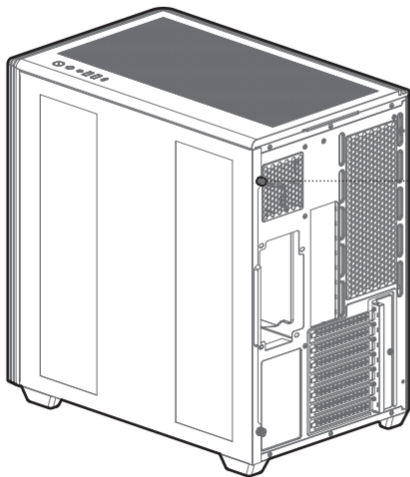


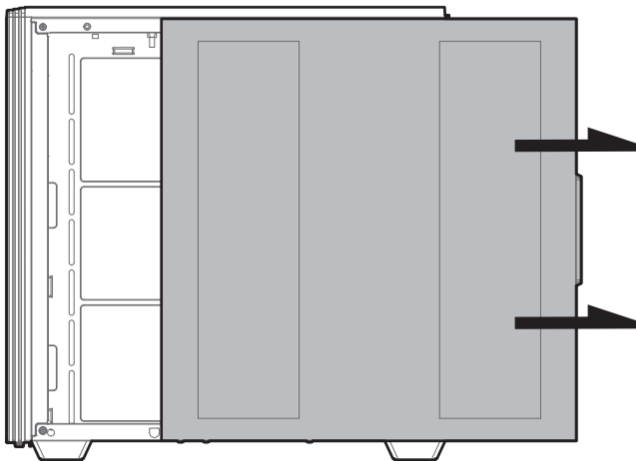
120/240/360mm

Removing the Side Panel

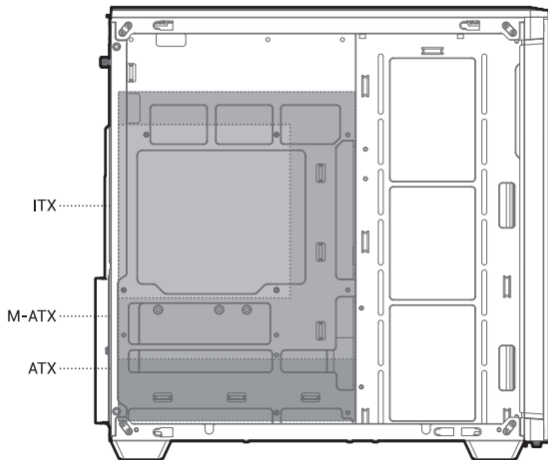






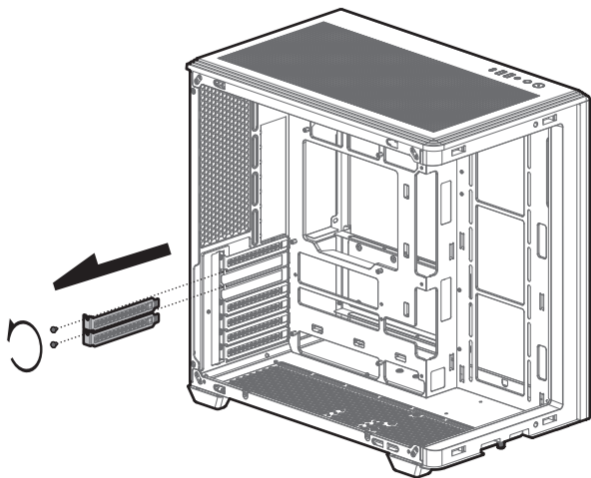


Installing the Motherboard

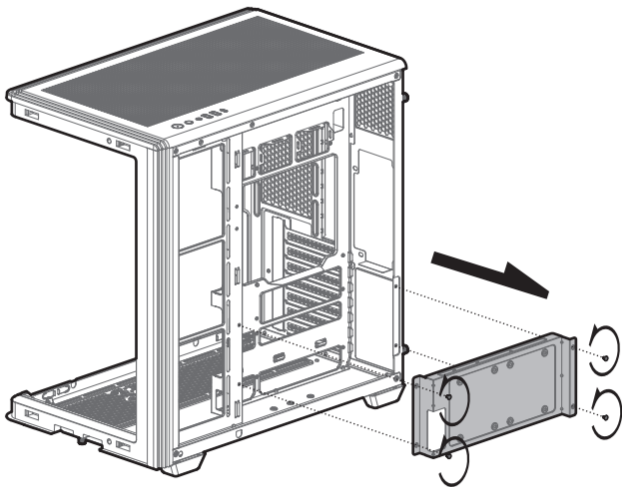


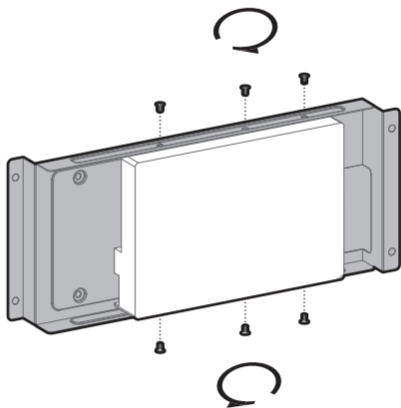
Rear Connector Motherboards: ATX / M-ATX

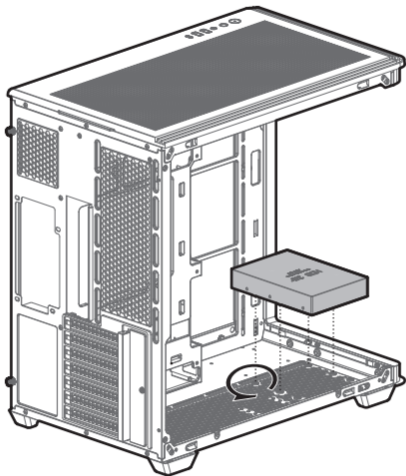
Installing the GPU



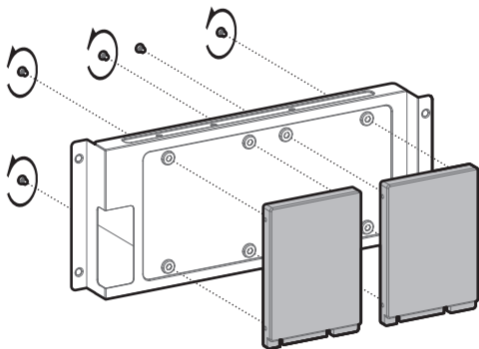
Installing HDDs

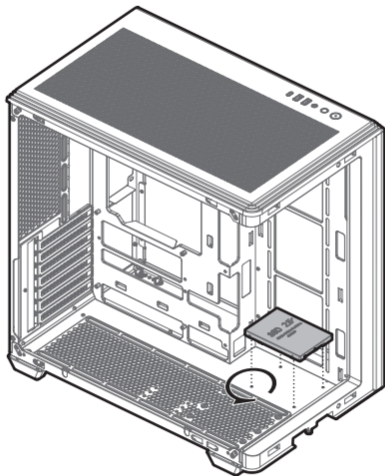


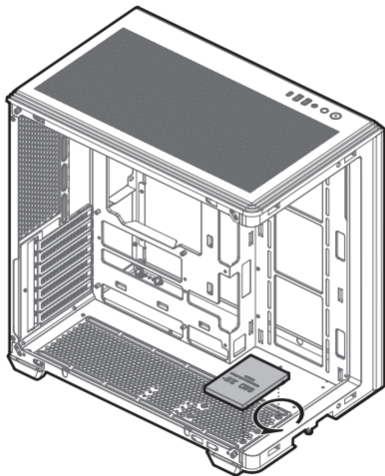




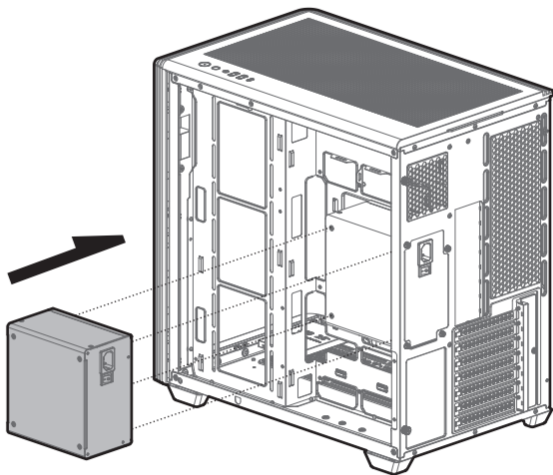
Installing SSDs



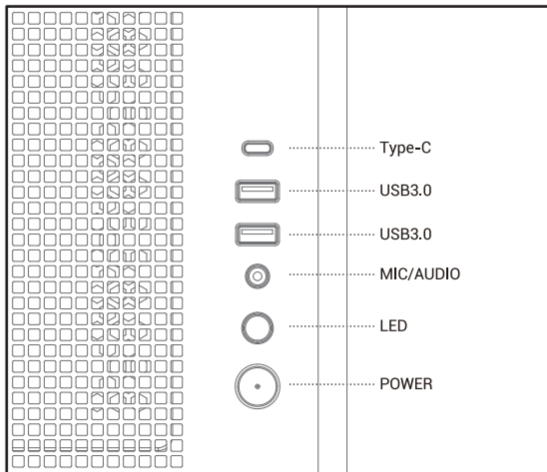




Installing the Power Supply

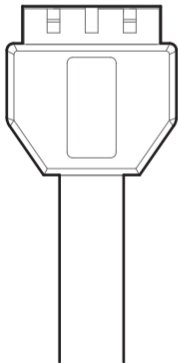


I/O Panel Introduction

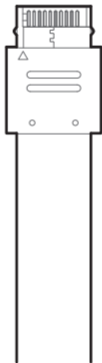


Installing the Front I/O Connectors

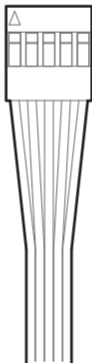
USB3.0



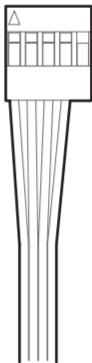
TYPE-C



HD AUDIO



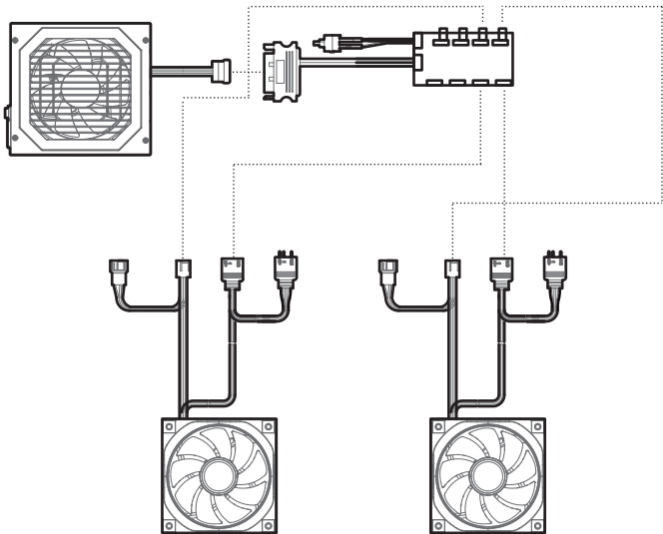
F_PANEL



LED/SW

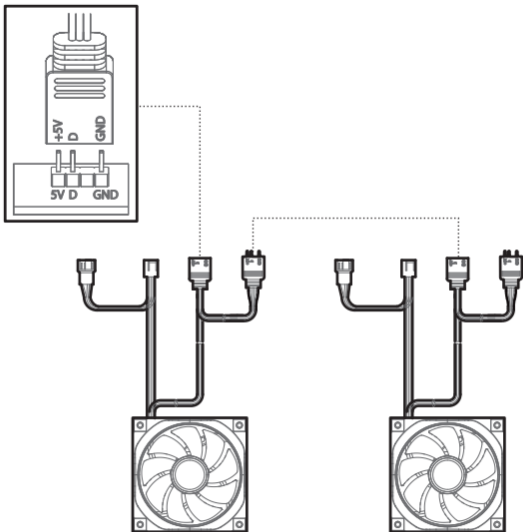


Manual ARGB&Fan Wiring



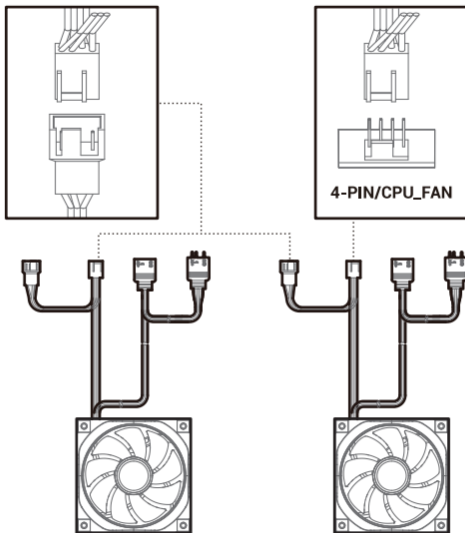
For reference only, please refer to the real product.

Motherboard RGB Synchronization



For reference only, please refer to the real product.

Fan Power Line Wiring



For reference only, please refer to the real product.

部件名称	有毒有害物质或元素					
	铅 (Pb)	汞 (Hg)	镉 (Cd)	六价铬 (Cr+6)	多溴联苯 (PBB)	多溴二苯醚 (PBDE)
机壳	○	○	○	○	○	○
塑胶	○	○	○	○	○	○
螺丝	○	○	○	○	○	○
集成电路	○	○	○	○	○	○
零件包	○	○	○	○	○	○

本表格依据SJ/T 11364的规定编制。

环保使用期限标识表示产品在正常工作温度和湿度等条件下的环保使用年限为10年。

○：表示该有害物质在该部件所有均质材料中的含量均在GB/T 26572规定的限量要求以下。

×：表示该有害物质至少在该部件的某一均质材料中的含量超出GB/T 26572规定的限量要求，且因技术发展水平限制而无成熟方案替代，均符合欧盟RoHS法规环保指令。



