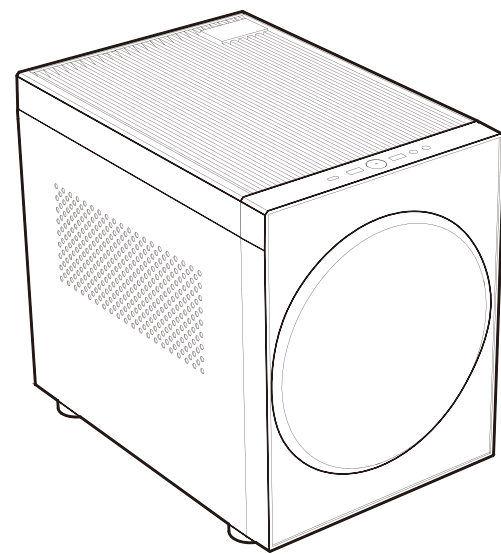


CHIEFTEC The Cube

CI-03B-OP



Product Manual

Specification

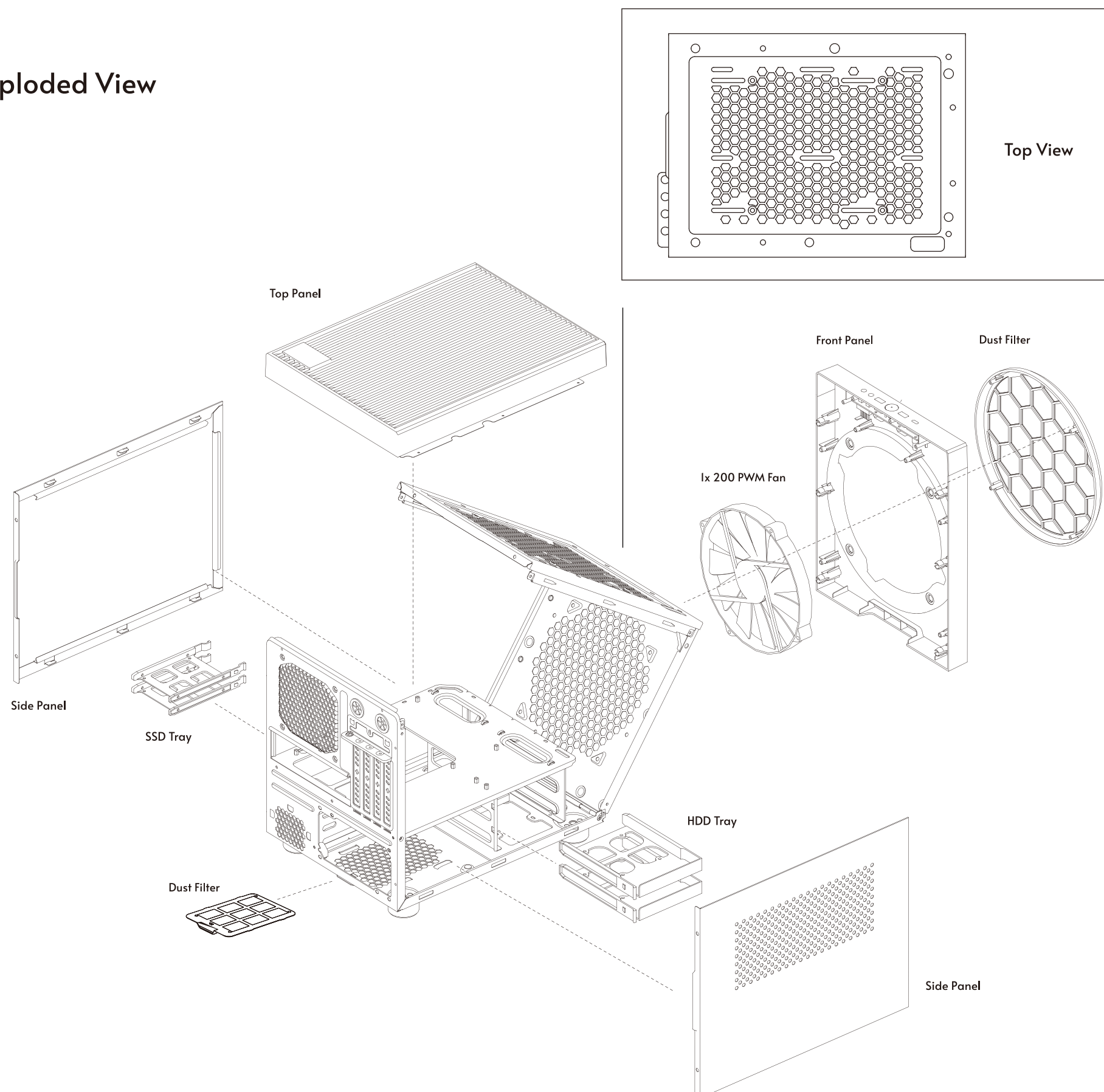
Model	The Cube
Article no.	CI-03B-OP
Color	Black
Material	0.6 mm SPCC
Motherboard support	Mini ITX, mATX
Dimension (DxWxH)	385 mm x 265 mm x 355 mm
Drive bay external	-
Drive bay internal	2 x 3.5" and 2 x 2.5"
Power supply	ATX PSU (optional, up to 160 mm length)
Front I/O	1x USB3.2 Gen2 Type C, 2 x USB3.0, Audio-out (AZALIA / HD-Audio), Mic-In
Scope of delivery	Screw set, instruction manual, removable bottom dust filter
Expansion slots	4
Cooling (optional)	Front: 1x 200mm PWM fan (pre-installed, featuring a HDB bearing) Rear: 1x 120mm fan Top: 2x 120mm or 1x 200mm fan / 240mm radiator
CPU cooler height (max.)	160mm
VGA card length (max.)	335mm
Warranty	24 Months

-  x 13 Screws for Motherboard / SSD
-  x 5 HDD Screws
-  x 4 PSU Screws
-  x 1 Standoff Socket
-  x 9 Motherboard Standoff Tool
-  x 2 Cable Tie
-  x 1 Buzzer
-  x 1 PCI Slot Cover

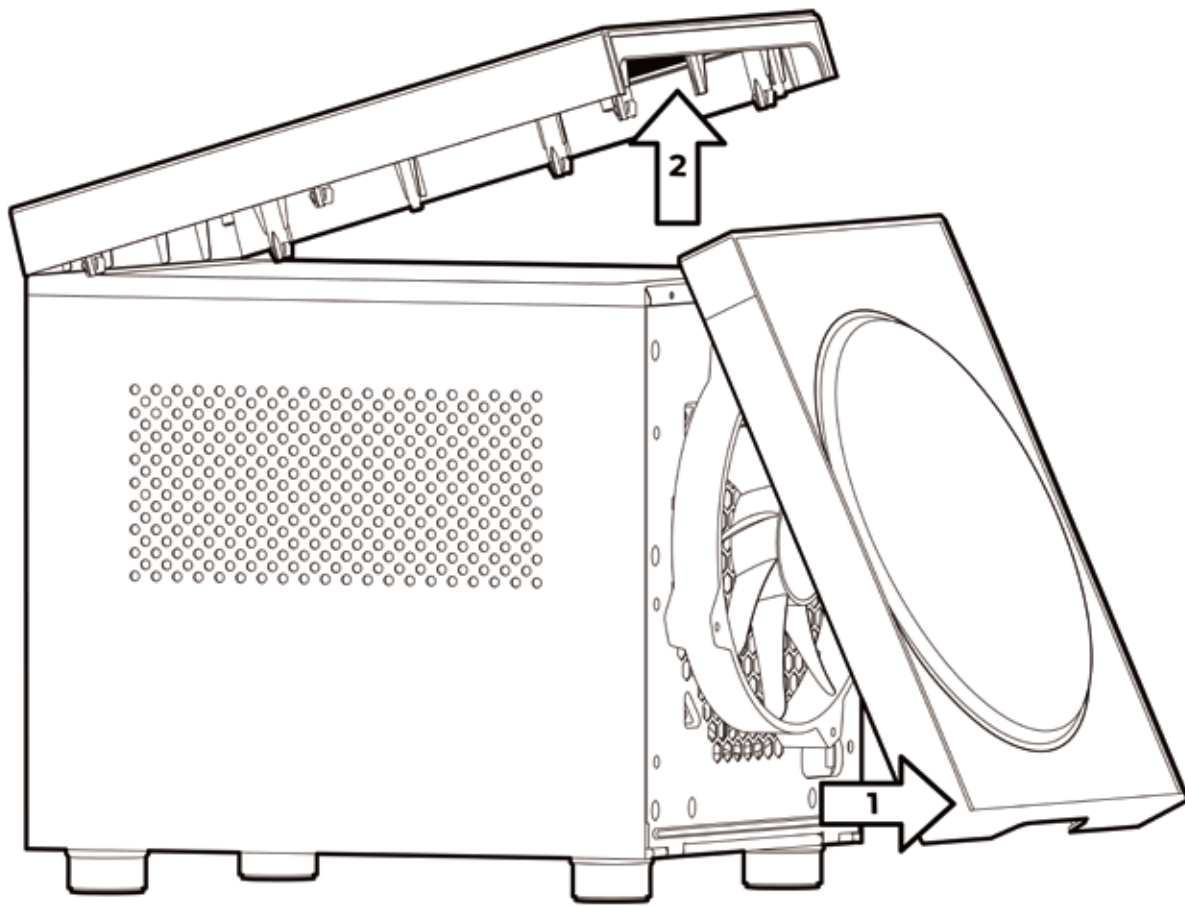
The Cube

CI-03B-OP
Computer micro-ATX Case

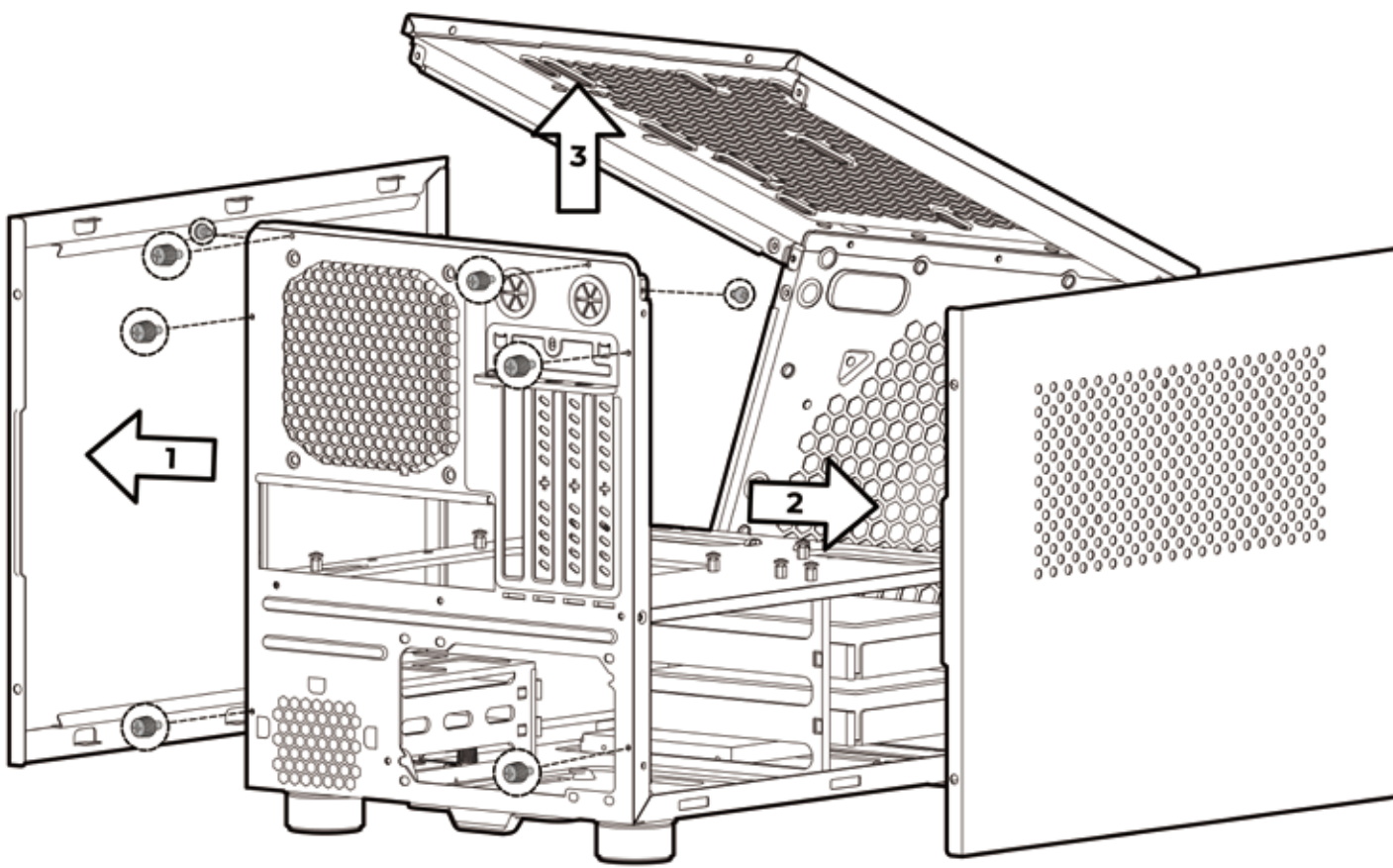
Exploded View



Manufacturer | Arena Electronic GmbH
Koppersstr. 18, 40549 Düsseldorf, Germany
www.chieftec.eu



- A. Remove the front panel
- B. Open the top cover



- A. Unscrew the six rear screws and the one screw on each side
- B. Remove both side panels
- C. Lift up the top cover

Removable 3.5 HDD Cage
(for longer PSU)

Removable 2.5 SSD Cage

