

Model: IF1005

5-Port 10/100 Mbps Industrial Switch



9.6~60V Wide Voltage Range

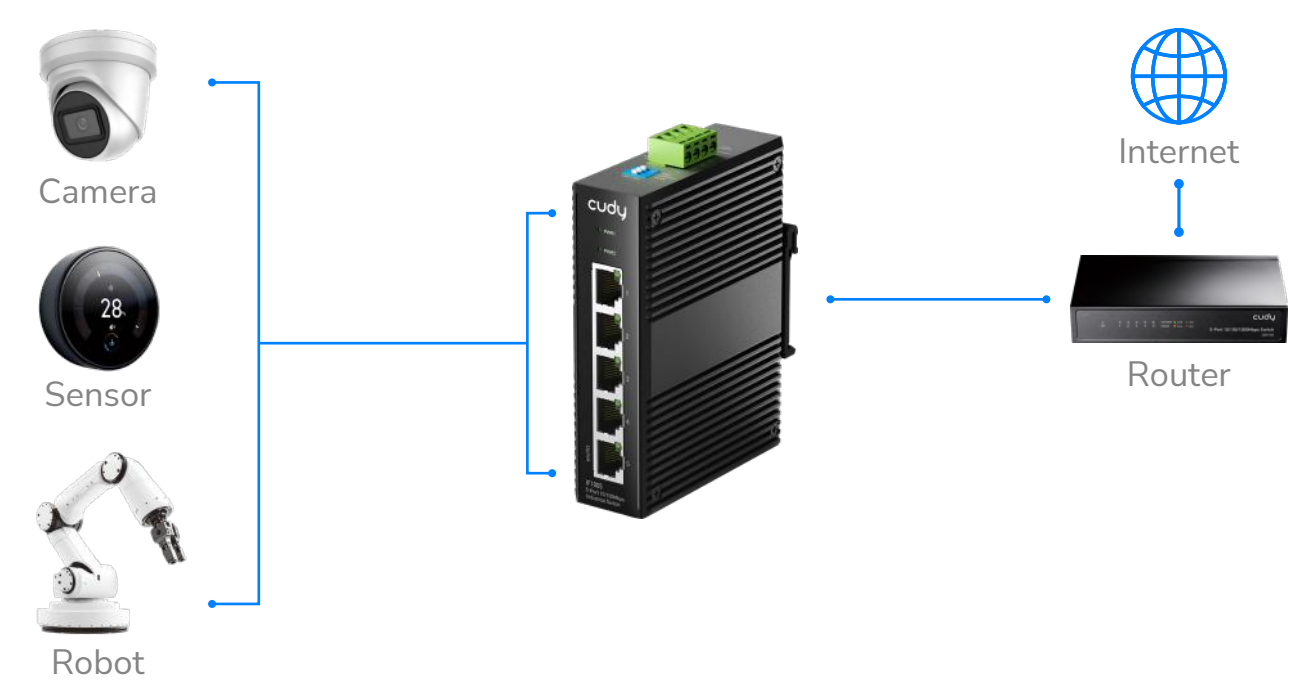
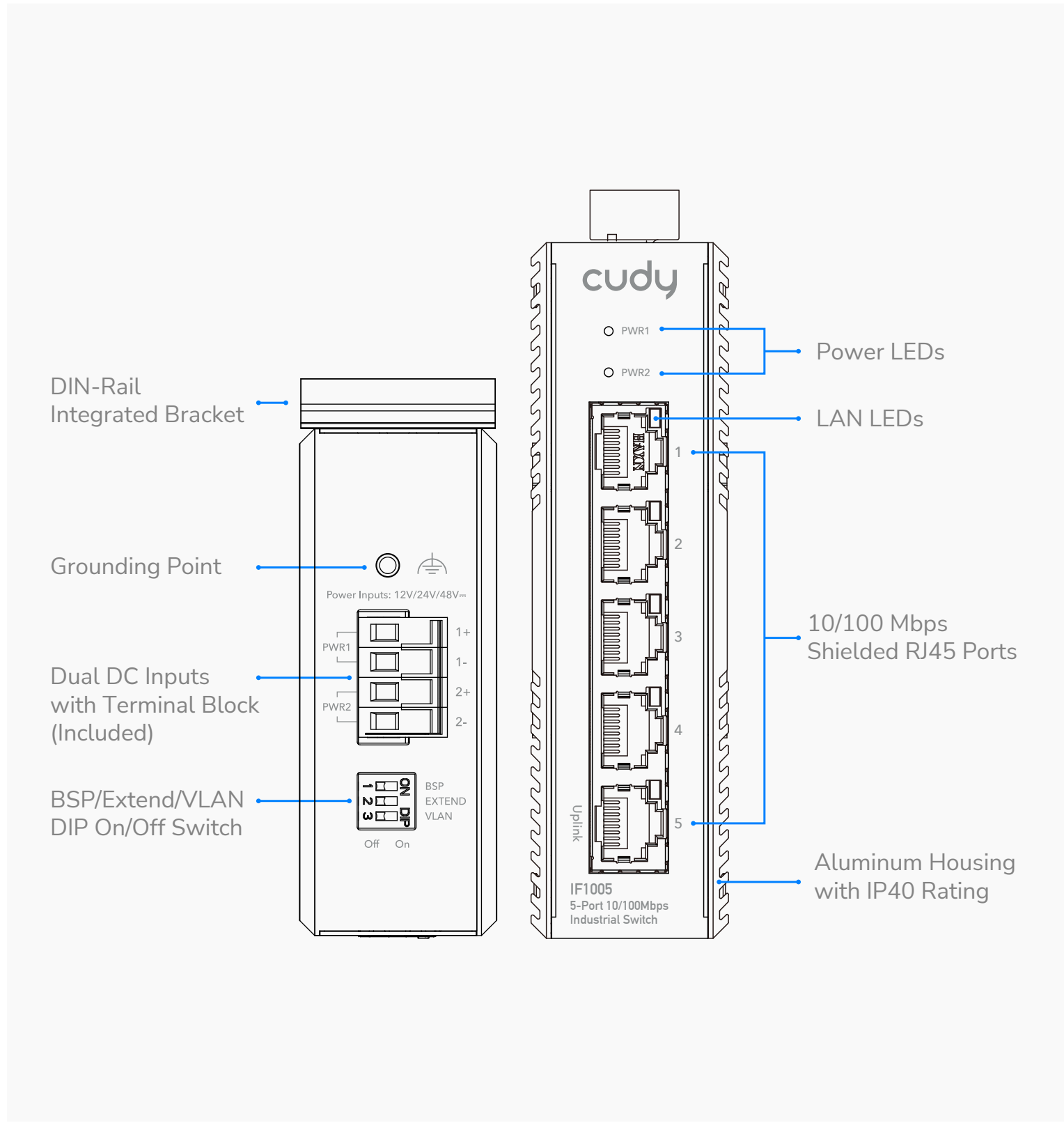


Industrial-Grade EMC and Casing Design

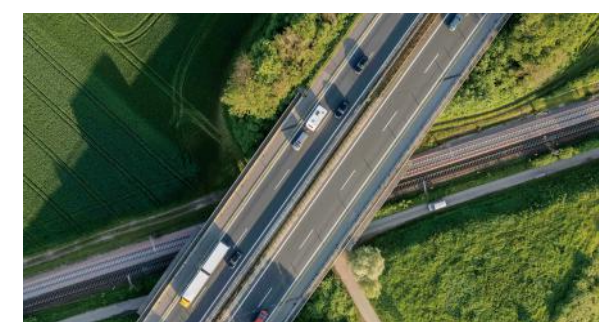


-40~85 °C Ambient Temperature





Built for Tough Environments



Transportation



Retail/Enterprise



Power Grid Management



Manufacturing and Automation



Highlights

A 5-FE industrial switch for networking in harsh conditions such as manufacturing, transportation, maritime, oil & gas, and mining.

- 5× FE, Shielded, ±6kV Surge Resistant
- IP40, -40~85°C (-40~185°F)
- Dual-Power Redundancy, 9.6~60V Range
- Polarity Reverse Protection
- Short Circuit Protection
- Broadcast Storm Prevention On/Off
- Extend On/Off, VLAN On/Off
- Integrated DIN-Rail Bracket

Package Content

- IF1005
- Installation Guide

Specifications

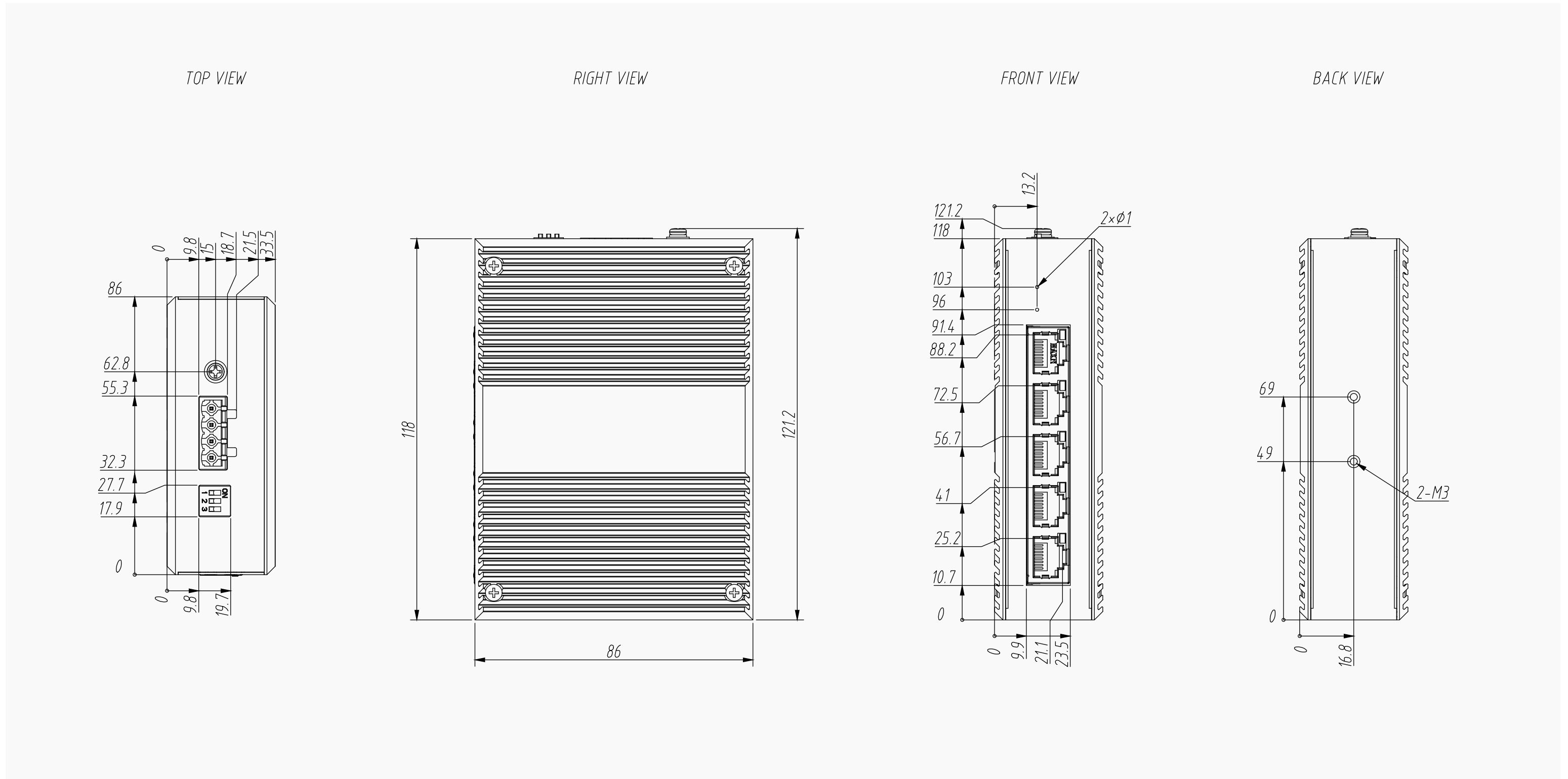
Interfaces	10/100 Mbps RJ45 Ports	5
	Extend Mode Ports	#1~#4
	VLAN Mode Ports	#1~#4
	LED	Power 1
		Power 2
		Link/ACT of Each Ethernet Port
	Power Input	Phoenix Terminal 4-PIN
Physical Buttons	VLAN On/Off	
	Extend On/Off	
	Broadcast Storm Prevention On/Off	
Performance	Copper Speed and Distance	Cat. 3 or higher cable: 100 meters at 10 Mbps
		Cat. 5 or higher cable: 100 meters at 100 Mbps
		Cat. 5e or higher cable: 250 meters at 10 Mbps
	Copper Speed and Distance Note	250-meter transmission is only available on the Extend Mode ports when the Extend Mode is activated.
MAC Address Table	2048	
Max Switching Capacity	1 Gbps	
Max Forwarding Rate	0.744 Mpps	
Jumbo Frame	2 KB	
Packet Buffer	768 Kbit	

Specifications

Power	Power Methods	DC	
	Power Redundancy	Dual Inputs	
	DC	9.6-60V ⁼⁼	
	Max Power Consumption	0.9W	
	Idle Power Consumption	0.25W	
	Polarity Reverse Protection	True	
	Short Circuit Protection	True	
Switching	802.3 Protocols	802.3i 10BASE-T	
		802.3u 100BASE-TX	
Reliability	EMS	IEC/EN 61000-4-2, Level 4 ESD: Contact: 8kV; Air: 15kV	
		IEC/EN 61000-4-3, Level 4 RS: 80 MHz to 1 GHz: 10 V/m	
		IEC/EN 61000-4-4, Level 4 EFT: Power: 2kV; RJ45: 4kV	
		IEC/EN 61000-4-5, Level 4 Surge: Power: DM 2kV, CM 4kV; RJ45: CM 6kV	
		IEC/EN 61000-4-6, Level 3 CS: 10V	
		IEC/EN 61000-4-8, Level 5 PFMF	
		IEC/EN 61000-4-9, Level 5	
		IEC/EN 61000-4-10, Level 5	
		EMS Note	The levels listed in each EMS field are the highest level defined in the IEC/EN standard.

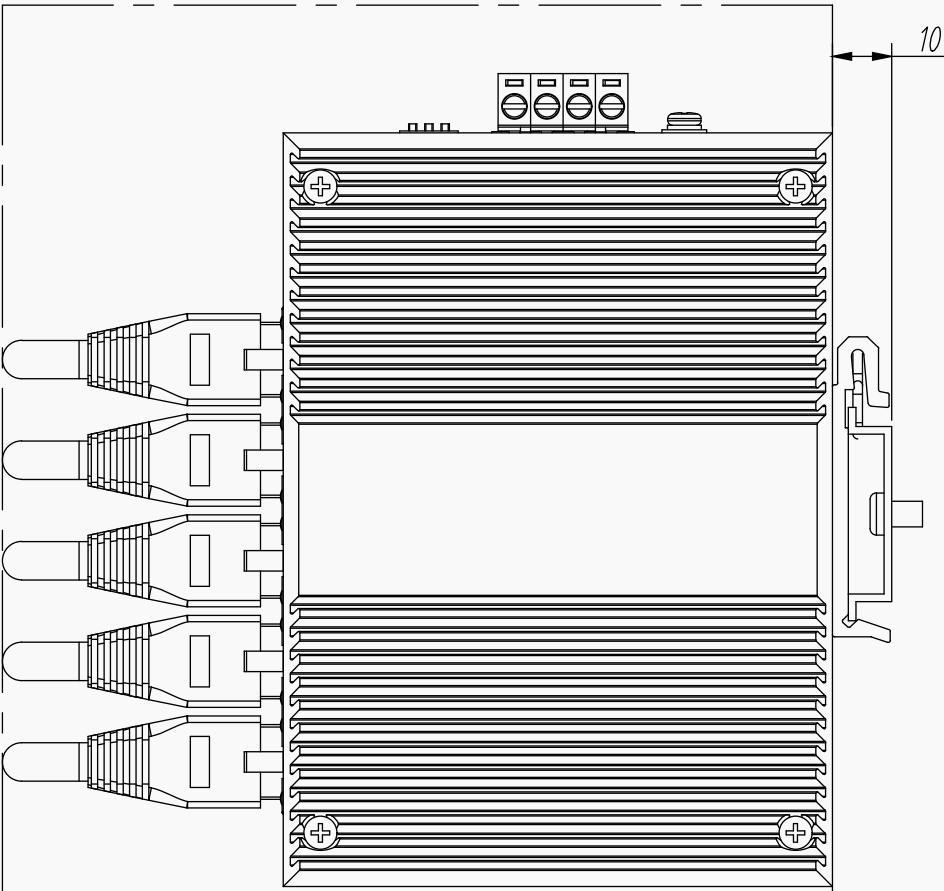
Reliability	Grounding Methods	Grounding Point	
	Safety	IEC/EN 62368	
	EMC	EN55032 Class A	
		EN55035 Class A	
	EMI	FCC 47 CFR Part 15B Class A	
	Shock	IEC 60068-2-27	
	Vibration	IEC 60068-2-6	
	Free Fall	IEC 60068-2-32	
	Environment	Operating Temperature:	-40 °C ~ 85 °C (-40 °F ~185 °F)
		Storage Temperature:	-40 °C ~ 85 °C (-40 °F ~ 185 °F)
Operating Humidity: 5%~95% non-condensing		Storage Humidity: 5% ~ 95% non-condensing	
Mechanical	Dimension	118×86×33.5 mm	
		4.65×3.39×1.32 inches	
	Product Weight	310.3 g (10.95 oz.)	
	Casing Material	Aluminum	
	Ingress Protection	IP40	
Installation	DIN-Rail		
Ordering Information	Retail Package Weight	433.5 g (15.29 oz.)	
	Carton Net Weight	8.7 kg (19.18 lbs)	
	Carton Gross Weight	9.4 kg (20.72 lbs)	

Spacial Measurements



Spacial Measurements

DIN RAIL



MOUNTING SPACE

