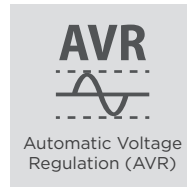
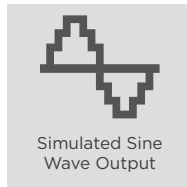
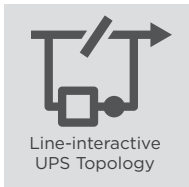


Value1200ELCD/Value1500ELCD
Value2200ELCD



LOCAL SOCKETS FOR SOHO APPLICATIONS



The GreenPower UPS providing trustworthy power protection with built-in Automatic Voltage Regulation for home and SOHO

Ideal for home, SOHO office, office and back office applications, the Value SOHO Series adopts line-interactive topology with Automatic Voltage Regulation (AVR) function to offer stabilized AC power output. This series features local sockets for connections with PCs, laptops, and printers, etc. The included RJ11/RJ45 port can provide data line protection against surge and spike. The products' power management software achieves real-time monitoring and configuration.

APPLICATION

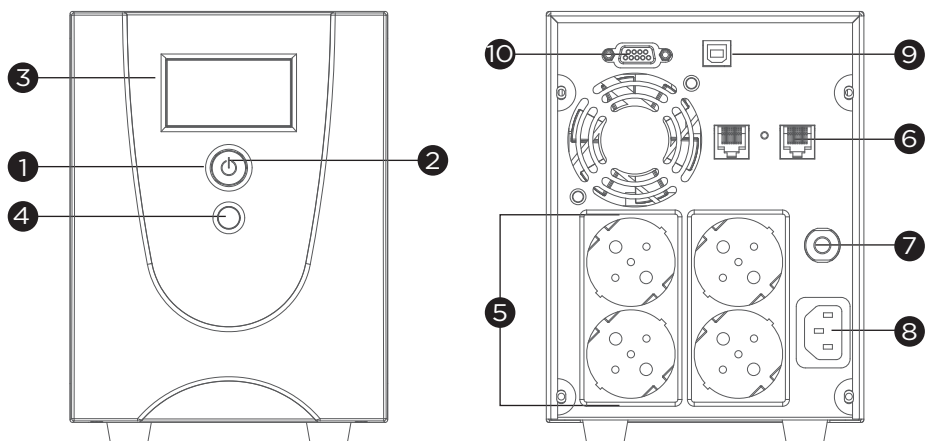
- Home
- SOHO Office
- Office
- Back Office
- Workstations

SERIES FEATURES

- Line-interactive UPS Topology
- Energy Saving Technology
- Simulated Sine Wave Output
- Automatic Voltage Regulation (AVR)
- Surge and Spike Protection
- Phone/Fax/Modem/DSL/Network Protection
- LCD Status Display
- PowerPanel® Management Software
- Form Factor
- Tower Form Factor

PRODUCT CALLOUTS

- 1 . Power On Indicator
- 2 . Power On/Off Switch
- 3 . LCD Display Panel
- 4 . Function Button(s)
- 5 . Battery Backup & Surge Protected Outlets
- 6 . Communication Protection Ports RJ11/RJ45
- 7 . Input Circuit Breaker
- 8 . AC Inlet
- 9 . USB Port
- 10 . Serial Port



Value1200/1500/2200ELCD



TECHNICAL SPECIFICATIONS

Model Name	Value1200ELCD	Value1500ELCD	Value2200ELCD
General			
UPS Topology	Line-interactive	Line-interactive	Line-interactive
Energy Saving Technology	GreenPower UPS™ Bypass Technology	GreenPower UPS™ Bypass Technology	GreenPower UPS™ Bypass Technology
Input			
Nominal Input Voltage (Vac)	230 ± 10%	230 ± 10%	230 ± 10%
Input Voltage Range (Vac)	165-280	165-280	165-280
Input Frequency (Hz)	50 ± 5, 60 ± 5	50 ± 5, 60 ± 5	50 ± 5, 60 ± 5
Input Frequency Detection	Auto-sensing	Auto-sensing	Auto-sensing
Rated Input Current (A)	5.45	6.82	10
Input Connector Type	IEC C14	IEC C14	IEC C14
Output			
Capacity (VA)	1200	1500	2200
Capacity (Watts)	720	900	1320
On Battery Waveform	Simulated Sine Wave	Simulated Sine Wave	Simulated Sine Wave
On Battery Voltage(s) (Vac)	230 ± 10%	230 ± 10%	230 ± 10%
On Battery Frequency (Hz)	50 ± 1%, 60 ± 1%	50 ± 1%, 60 ± 1%	50 ± 1%, 60 ± 1%
Automatic Voltage Regulation (AVR)	Single Boost, Single Buck	Single Boost, Single Buck	Single Boost, Single Buck
Overload Protection	Circuit Breaker	Circuit Breaker	Circuit Breaker
Outlet(s) - Total	4	4	4
Outlet Type	Schuko x 4	Schuko x 4	Schuko x 4
Outlet(s) - Battery & Surge Protected	4	4	4
Typical Transfer Time (ms)	4	4	4
Battery			
Runtime at Half Load (min)	8	10	7
Runtime at Full Load (min)	2	2	1
Typical Recharge Time (Hours)	8	8	8
User-replaceable	Yes	Yes	Yes
Battery Type	Sealed Lead-acid	Sealed Lead-acid	Sealed Lead-acid
Replacement Battery Pack	RBPO084	RBPO085	RBPO086
RBP Quantity (pcs)	2	2	2
Surge Protection & Filtering			
Surge Suppression (Joules)	125	125	125
EMI/RFI Filtration	Yes	Yes	Yes
Phone/Network Protection RJ11/RJ45 (Combo)	1-in, 1-out	1-in, 1-out	1-in, 1-out
Management & Communications			
LCD Panel	Yes	Yes	Yes
LED Indicators	Power On	Power On	Power On
HID Compliant USB Port(s)	1	1	1
Serial Port	RS232	RS232	RS232
Audible Alarms	Battery Mode, Low Battery, Overload, UPS Fault	Battery Mode, Low Battery, Overload, UPS Fault	Battery Mode, Low Battery, Overload, UPS Fault
Power Management Software	PowerPanel® Personal	PowerPanel® Personal	PowerPanel® Personal
Physical			
Form Factor	Tower	Tower	Tower
Physical Size - UPS Module			
Dimensions (WxHxD) (mm.)	140 x 180 x 326	140 x 180 x 326	140 x 180 x 326
Weight (kg.)	11.2	13.2	14.5
Environmental			
Operating Temperature (°C)	0 - 40	0 - 40	0 - 40
Operating Relative Humidity (Non-condensing) (%)	0 - 90	0 - 90	0 - 90
Online Thermal Dissipation (BTU/hr)	167	198	225
Certifications			
Certifications*	CE, RCM, EAC	CE, RCM, EAC	CE, RCM, EAC
RoHS	Yes	Yes	Yes

*Certifications may vary according to different regions. Visit www.cyberpower.com for more information.
#All specifications are subject to change without notice.