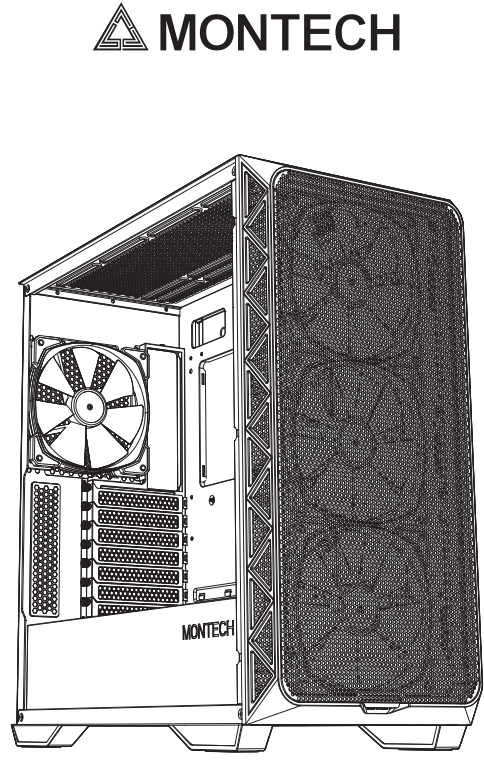
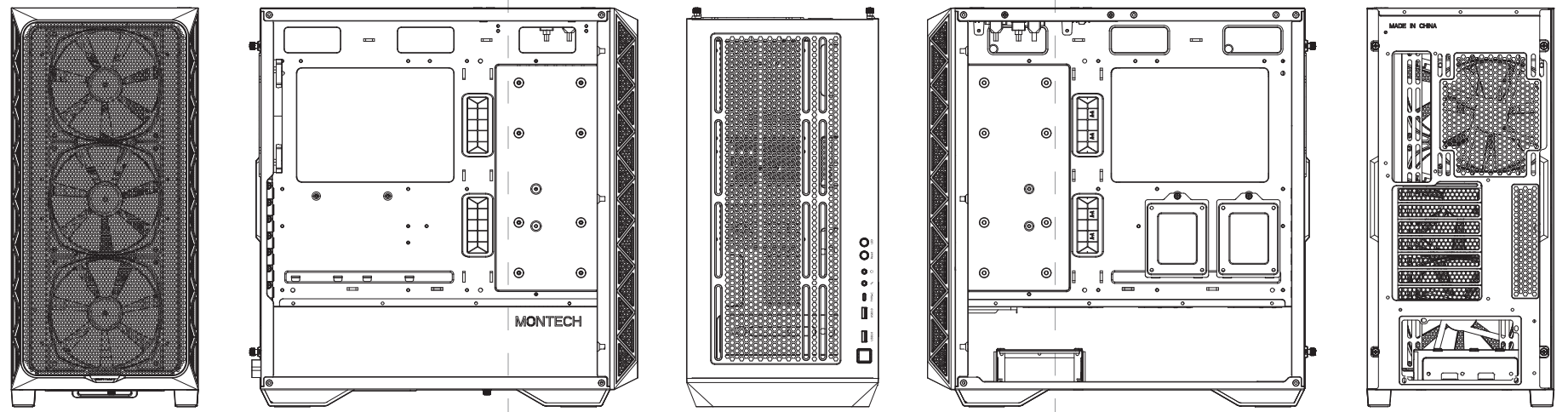


正面



AIR 903 MAX / BASE



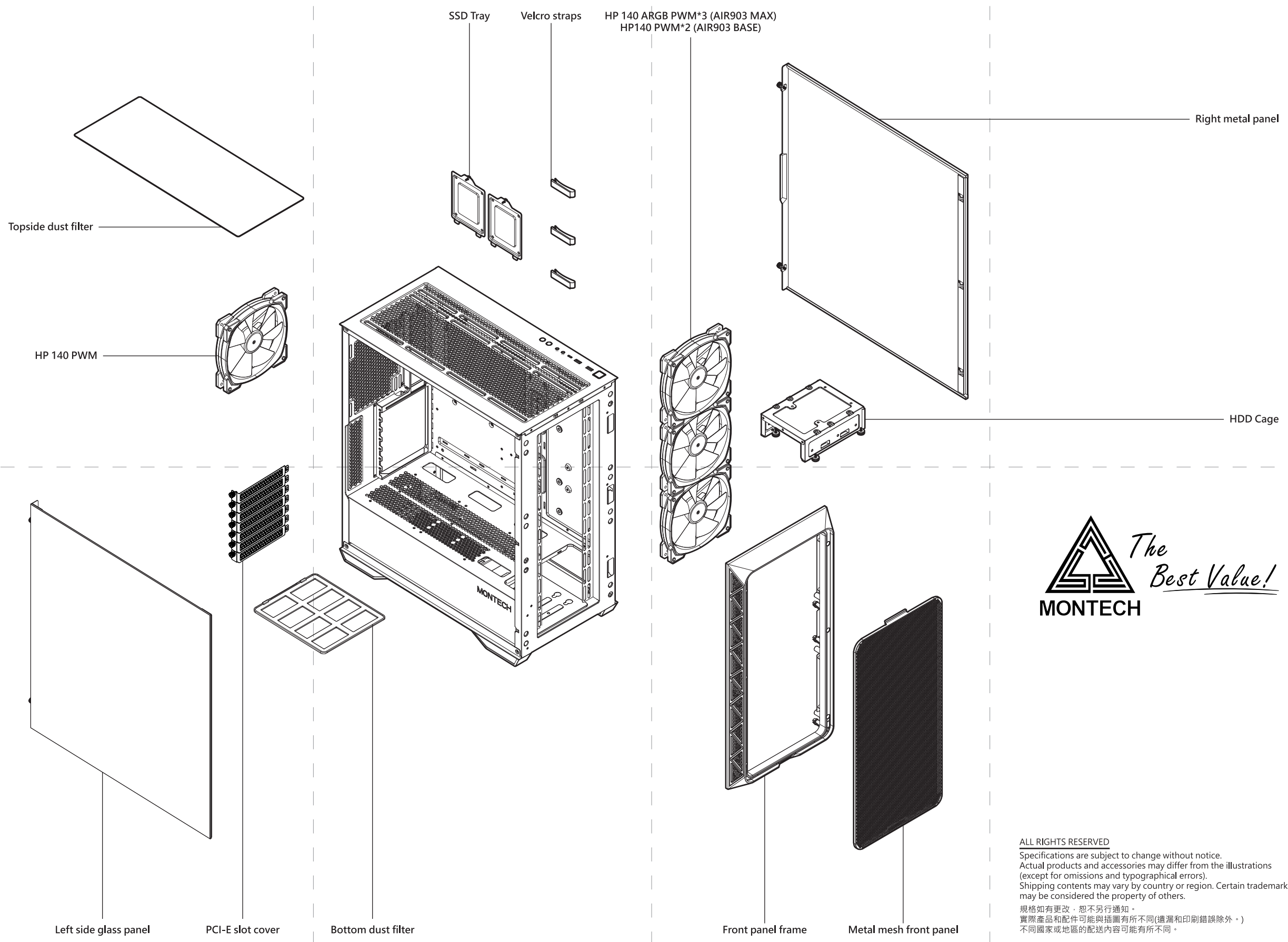
SPECIFICATIONS

| | | | | |
|---------------------|--|--------------------|-------------|-------------------------------|
| Product Name | AIR 903 MAX / AIR 903 BASE | Pre-Installed Fans | Front | MAX: 140mm*3 (HP140 ARGB PWM) |
| Available Color | Black / White | | Rear | BASE: 140mm*2 (HP140 PWM) |
| Dimensions (L*W*H) | 478*230*493mm (Case) / 555*293*535mm (Carton) | | Fan Hub | MAX: 1 to 6 ARGB & PWM Hub |
| Motherboard Support | E-ATX (SSI-EEB), ATX, Micro-ATX, Mini-ITX | Fan Support | Front | 140mm*3 / 120mm*3 |
| PCIe Slots | 7 | | Rear | 140mm*1 / 120mm*1 |
| Hard Disk Support | 2.5"SSD*5 (Maximum) / 3.5" HDD*2 | | Top | 140mm*2 / 120mm*3 |
| Front I/O | USB Type-C*1 / USB3.0*2 / MIC*1 / SPK*1 / LED SW / RESET | Radiator Support | Front | 360 / 280 / 240 / 140 / 120mm |
| GPU | 400mm | | Top | 360 / 280 / 240 / 140 / 120mm |
| CPU Cooler | 180mm | Dust Filters | Top, Bottom | |
| PSU | 240mm | | | |

ACCESSORY BAG

| | | | |
|---------------------------------|----|----------------------------------|----|
| Motherboard Screw/主板螺絲 | 27 | Motherboard Standoff Tool / 主板網柱 | 3 |
| Specialized SSD Screw / 專用SSD螺絲 | 10 | Standoff Socket/網柱套 | 1 |
| HDD Screw/HDD螺絲螺絲 | 8 | Cable Tie/束線帶 | 10 |
| PCI-E Screw/PCI-E螺絲 | 8 | | |

EXPLODED VIEW

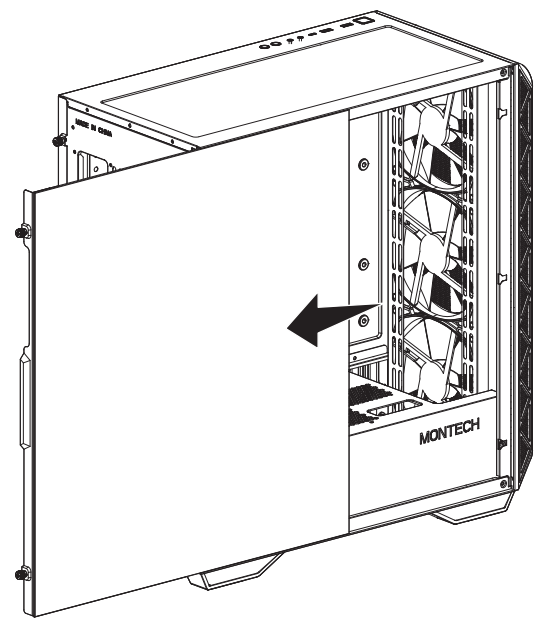


ALL RIGHTS RESERVED
Specifications are subject to change without notice.
Actual products and accessories may differ from the illustrations (except for omissions and typographical errors).
Shipping contents may vary by country or region. Certain trademarks may be considered the property of others.
規格如有更改，恕不另行通知。
實際產品和配件可能與插圖有所不同(遺漏和印刷錯誤除外)。
不同國家或地區的配搭內容可能有所不同。
MONTECH © 2022

反面

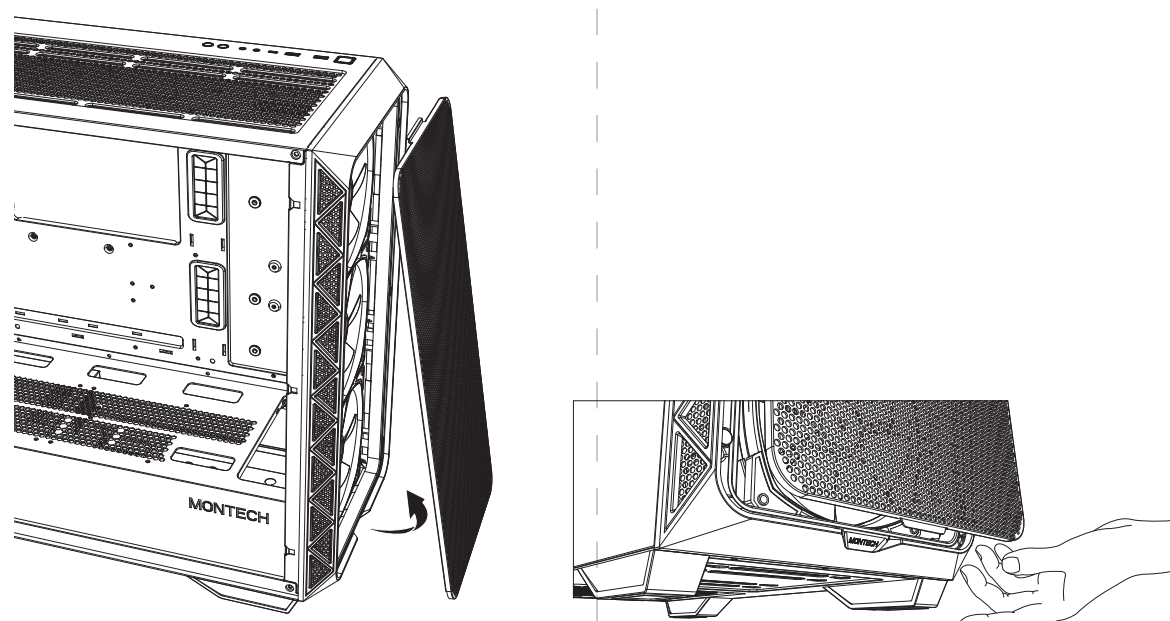
1 PANEL REMOVAL

Loosen the thumbscrews on the back then pull out the glass panel.
轉鬆後側夾線螺絲，往後拉取出玻璃。



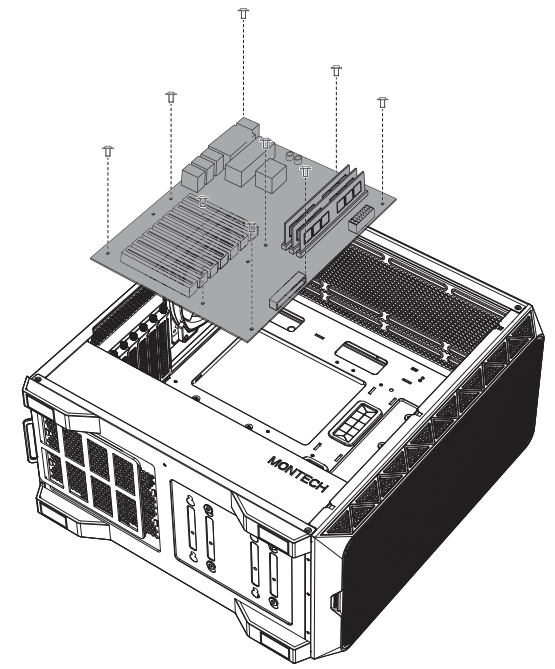
2 PANEL REMOVAL

Release the panel by placing your hand under it.
將手放入面板下方即可輕易拆裝前鐵網面板。



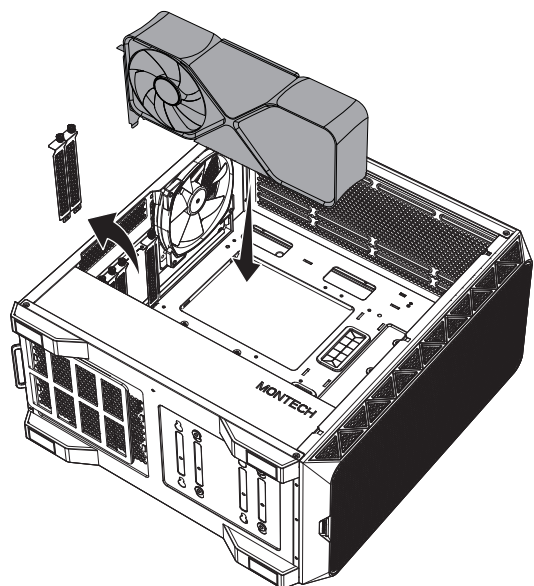
3 MOTHERBOARD INSTALLATION

Support
E-ATX (SSI-EEB) / ATX / Micro-ATX / Mini-ITX
支援
E-ATX (SSI-EEB) / ATX / Micro-ATX / Mini-ITX

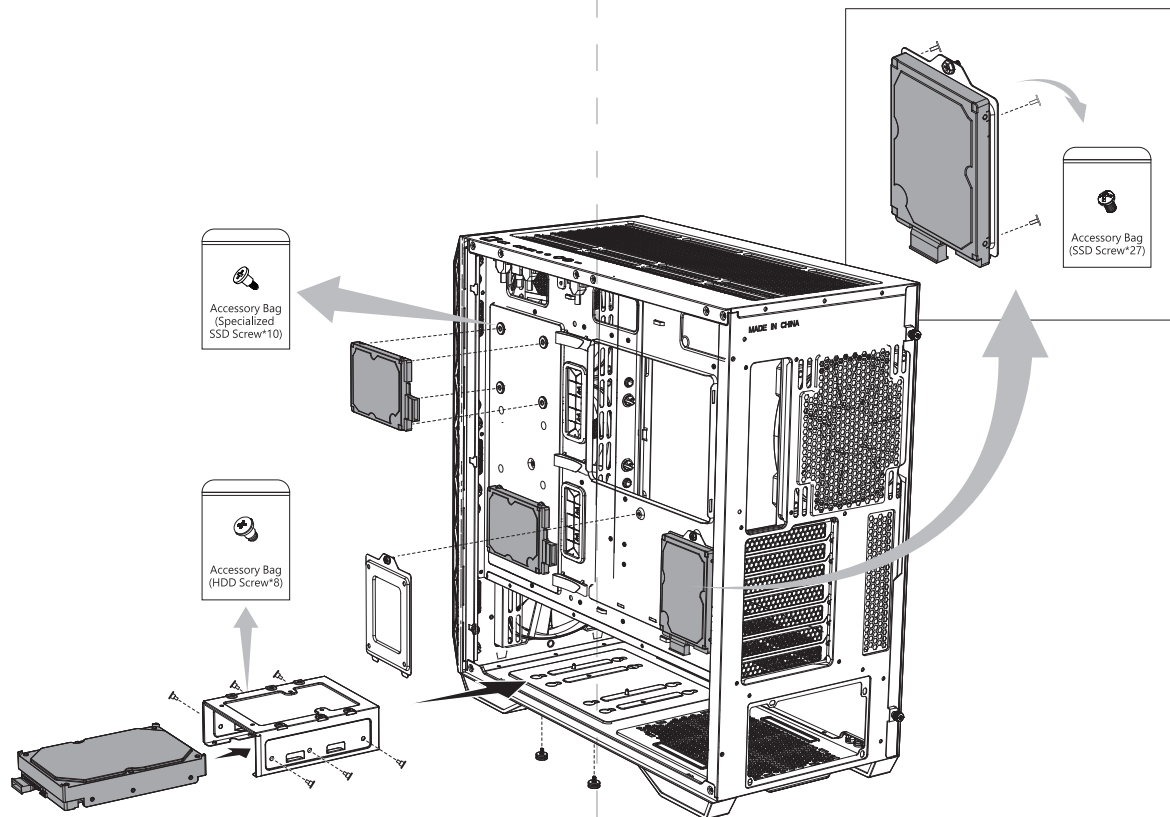


4 GPU INSTALLATION

Support
400mm
*The rear PCIe slot cover implements a reusable design
支援
400mm
*可重複使用PCIe槽板

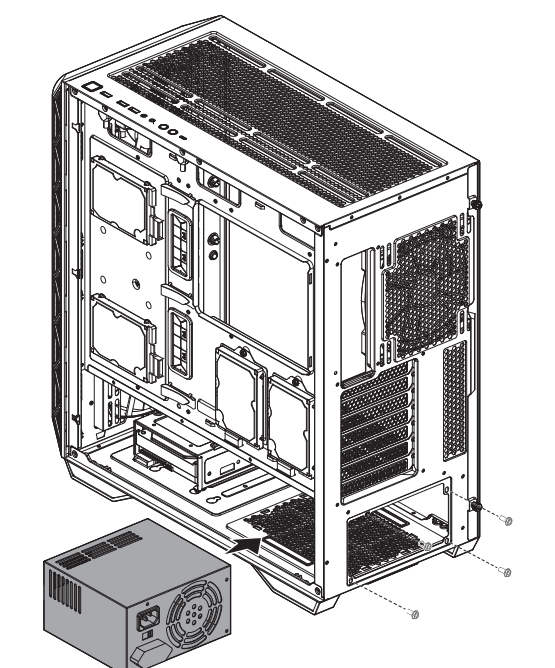


5 INSTALLING 3.5" HDD & 2.5"SSD



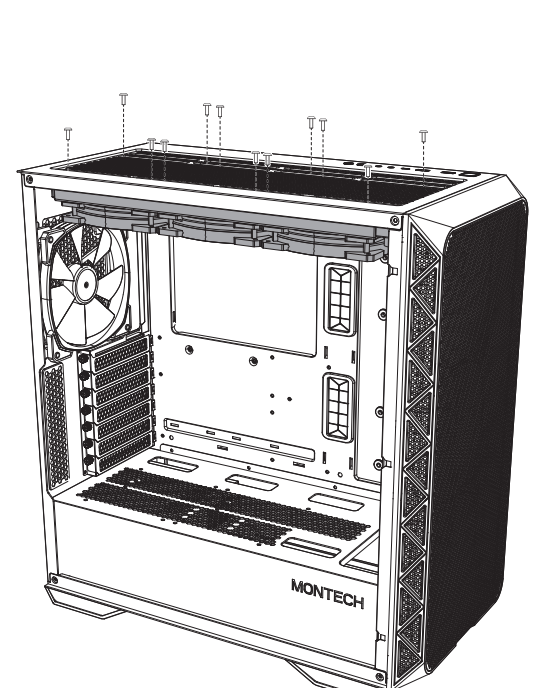
6 PSU INSTALLATION

Support
240mm High-End Power Supply
支援
240mm電源

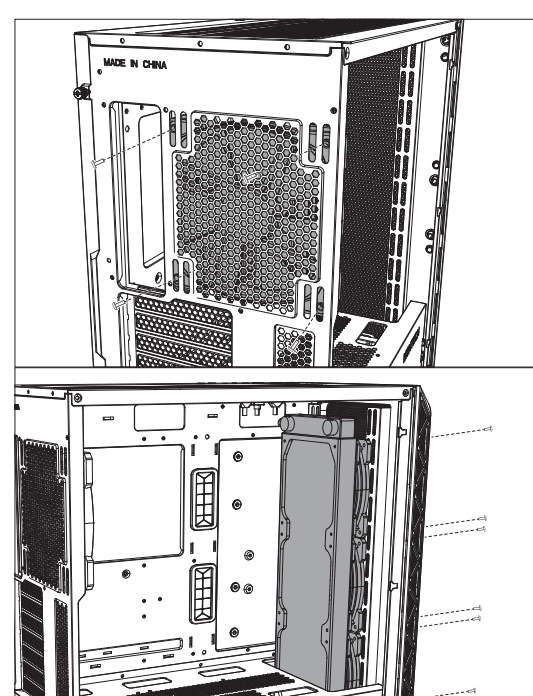


7 RADIATOR INSTALLATION

Top 120 / 140 / 240 / 280 / 360mm

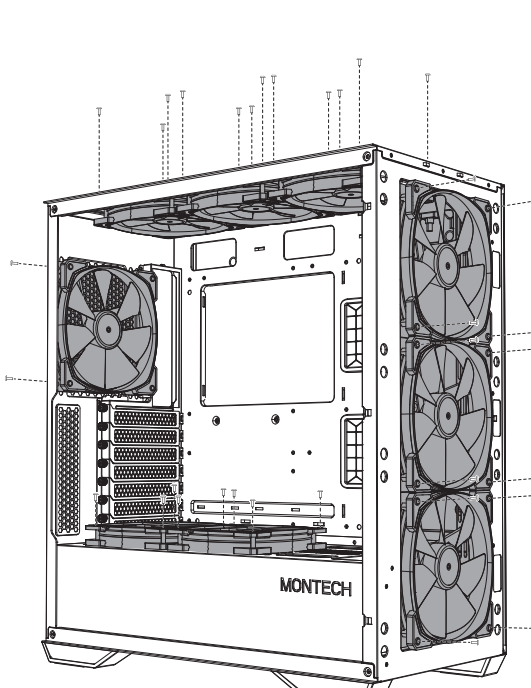


Front 120 / 140 / 240 / 280 / 360mm
Rear 120mm



8 FAN INSTALLATION

Front 120mm*3 / 140mm*3
Rear 120mm*1 / 140mm*1
Top 120mm*3 / 140mm*2
Above PSU 120mm*2



9 BUTTON AND I/O

1. Power button 5. MIC
2. USB3.0 6. SPK
3. USB3.0 7. RESET
4. Type-C 8. LED SW

